

INSTALLATION GUIDE

CORA EXPO SERIES®

1. SITE SELECTION

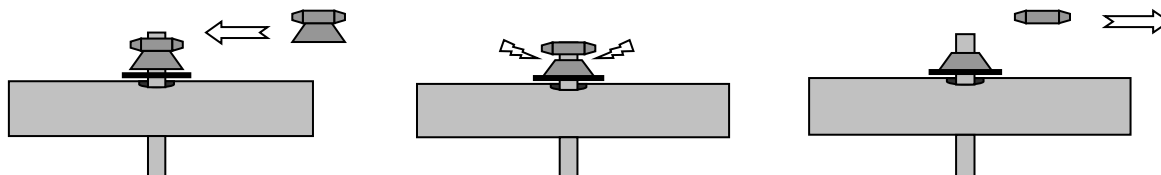
When selecting a site for your new bicycle rack, the most important advice is - *do not try to hide it, as it will not be used!* The best locations are adjacent to entrance doors and in line of sight of a window. If line of sight is not possible, the rack should be placed near high pedestrian traffic. Where a rack is being installed at an existing location, the rack should be placed where bicycles are currently parked. The location should be flat and at the same surface level which cyclists use for access. Covered areas are preferable to uncovered areas. When using a garage location, it is recommended to use a parking bay that is adjacent to an entrance door.

2. EXPO SERIES FIXING - Concrete Surfaces

- The Expo Series bike rack can be positioned to allow single or double sided access. Where space permits, position to allow double sided access.
- Place rack in the desired location, ensuring correct clearance on all sides.
- Use the 2 x 12mm x 125mm Stainless Steel Anchor bolts included.
- Place an 8mm drill through the 2 footing holes to mark the correct position.
- Remove rack and drill an 80mm deep hole into the concrete using a standard hammer drill. Repeat using a 12mm drill. Clear holes of dust.
Do not drill over plumbing and/or electrical conduits, or through waterproof membranes that may be located just below surface level.
- Place rack back into correct position. Place the flat washers and hex nut on the end of the anchor bolts, drop through the rack into drilled hole, and hammer the anchor bolts into place. Tighten hex nuts firmly.

3. SHEAR NUTS – Tamper resistant nuts for AS2890.3 (2015) compliance

- To use the included Security Nuts, carefully remove the tightened standard nuts, leaving the flat washers in place.
- Screw on the new Security Nuts with the wide round base at the bottom.
- Tighten the Security Nut firmly, and keep tightening until the top half of the nut snaps off.
- Remove the top half of the Security Nut and discard. The lower half remains in place to provide an effective tamper resistant fixing.



4. OTHER SURFACES - Asphalt, Brick Pavers, Grass or Soil

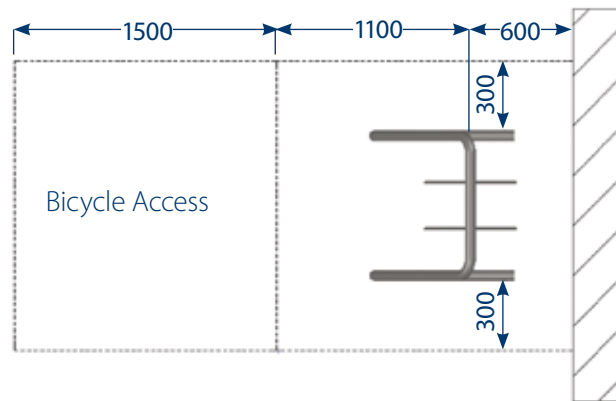
- You must create a concrete surface or anchor to securely fix the rack in place to prevent theft. Cora recommends placing a concrete anchor with minimum dimensions of 300x300x300mm under each of the 2 fixing points. These anchors can be pre-cast or made on site with quick set concrete.
- Where the top of the concrete anchor is flush with surface level, the rack can be fixed as above.
- Where the top of the concrete anchor is located below surface level (such as below a layer of brick pavers), threaded rod can be placed in a sub-surface wet concrete base. The surface material and rack can then be positioned over the threaded rod. Careful attention must be paid to ensure correct positioning of the threaded rod and footing holes on the rack.
- Once the concrete anchor has set, fasten as above. Threaded rod is not included.

CORA
BIKERACK

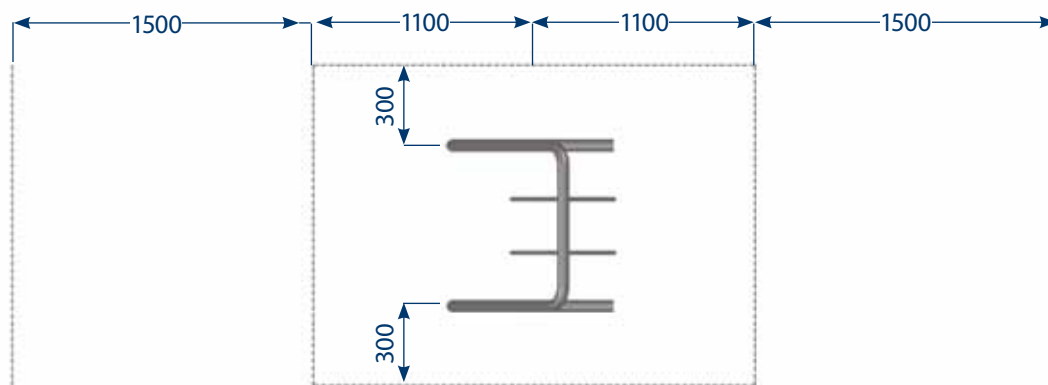
Layout Guide

Cora Expo Series (2704, 3606, 4506, 7510)

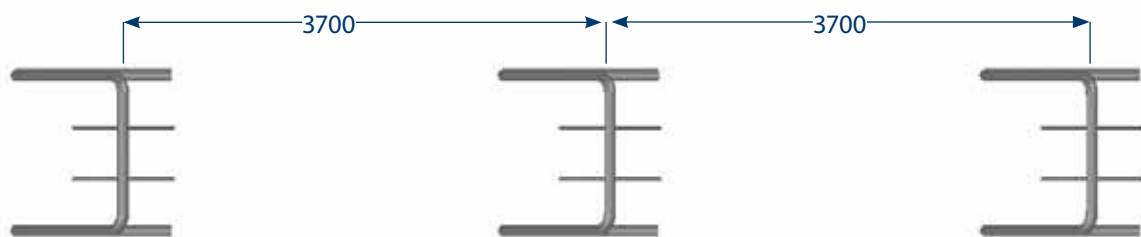
Single Side Access



Double Side Access



In-Line Cluster



Parallel Cluster

