

# CORA BIKE RACK

## PRODUCT SPECIFICATION SHEET



## CVR SERIES

### CVR2 VERTICAL WALL MOUNTED BIKE RACKS

The Cora CVR Series provide space efficient vertical wall mounted bike parking spaces. The CVR2 rack can hold 2 bikes in a very compact manner and supports each bike by its frame. Best suited to indoor or covered areas such as car parks and bike rooms.

#### Capacity

- Single side access - 1 bike
- Double sided access - 2 bikes

#### Construction

- Heavy duty high quality steel or 304 stainless
- 28mm x 2.5mm

#### Fixings

- 3x8mm x 40mm stainless steel security headed screws with 10.5 x 40mm nylon sleeves

#### Finishes

- In stock: Hot dipped galvanised with yellow hanger
- Option: Stainless steel
- Option: Colour powder coat

#### Assembly

- Supplied fully welded and assembled

#### Compliance

- Rack is AS2890.3 (2015) compliant

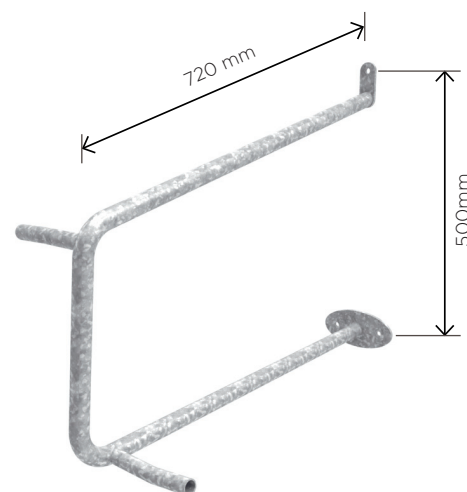


SIDE VIEW

CVR2  
Vertical wall  
mounted bike rack.

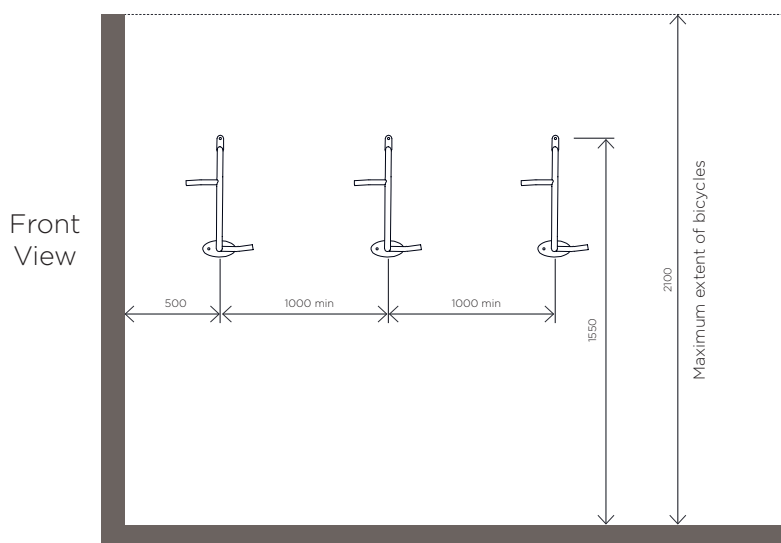
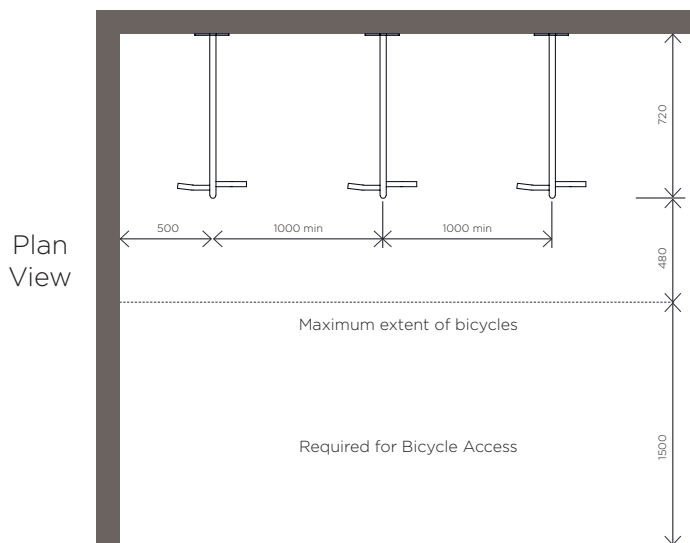


ISOMETRIC VIEW



# CORA BIKE RACK

## PRODUCT SPECIFICATION SHEET



\* Can mount racks at same height if spaced at 700mm

\* Minimum ceiling height 2200mm

### CVR LAYOUT GUIDE

To comply with AS2890.3 (2015)  
**CVR Series racks should be mounted with the spacings shown.**

For specific assembly and installation instructions relating to CVR Series racks, please refer to individual instruction information sheets.

Racks should not be installed, based on the information on this sheet alone.



**CORA**  
**BIKERACK**

PH 1800 249 878

sales@cora.com.au

www.cora.com.au