

CORA BIKE RACK

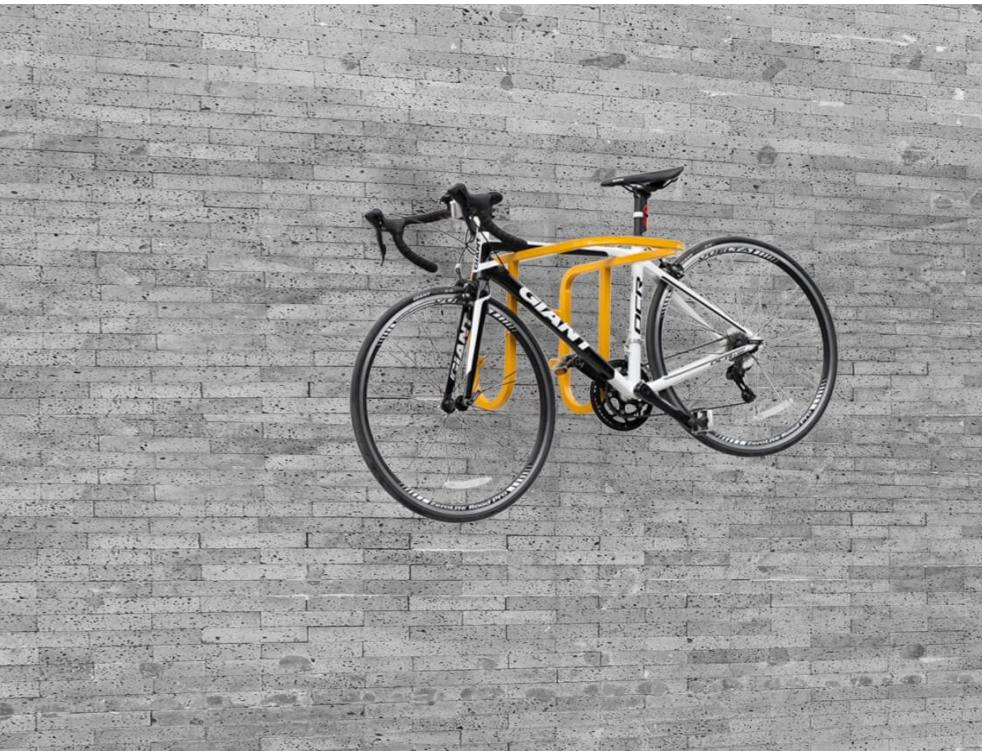
PRODUCT SPECIFICATION SHEET

CWR SERIES

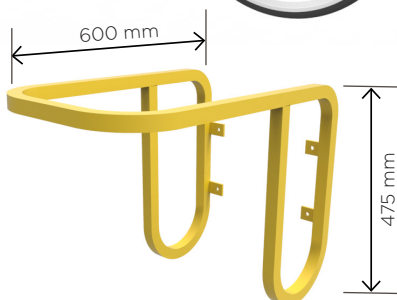
CWR2 WALL MOUNTED BIKE RACK

CWR2 holds 1-2 racks in a horizontal position at any height such as above a car bonnet.

Each bike can be locked separately, however the front bike must be removed to access the rear bike.



CWR2



Capacity

- Single side access - 1 or 2 bikes

Construction

- Heavy duty high quality steel or 304 stainless steel
- 25mm SHS x 2mm

Fixings

- 4 x M8 x 40mm pin head torx security screws with tool, washers and nylon wall plugs included

Finishes

- In Stock - Yellow Powder Coat
- Option - 304 Stainless Steel
- Option - Colour Powder Coat (Cora standard colour range)

Assembly

- Supplied fully welded and assembled

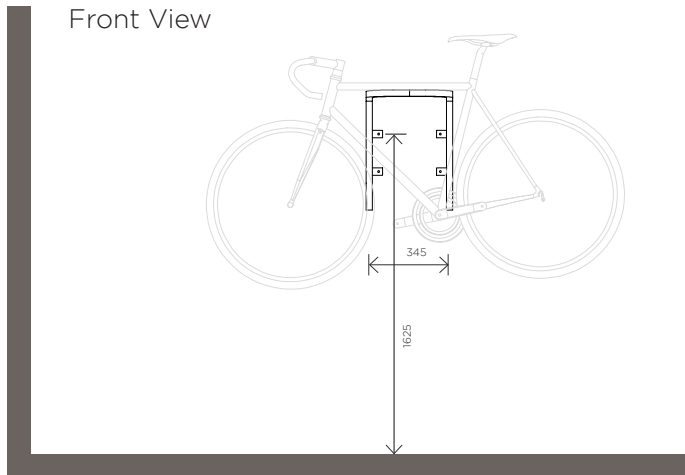
Compliance

- Rack is AS2890.3 (2015) compliant for 1 bike

CORA BIKE RACK

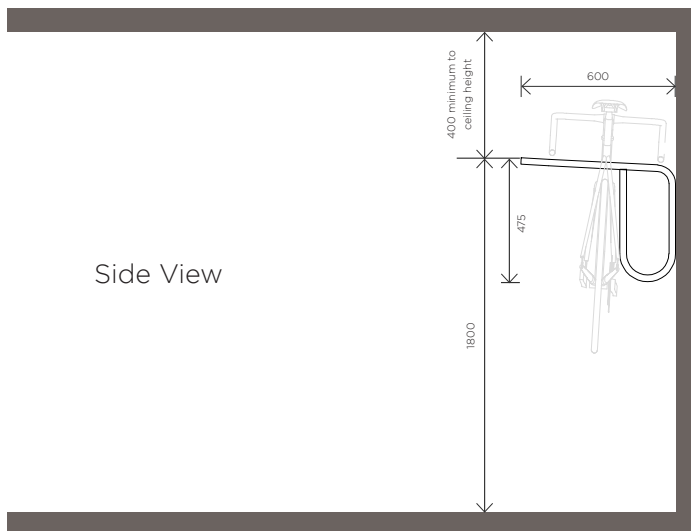
PRODUCT SPECIFICATION SHEET

Front View

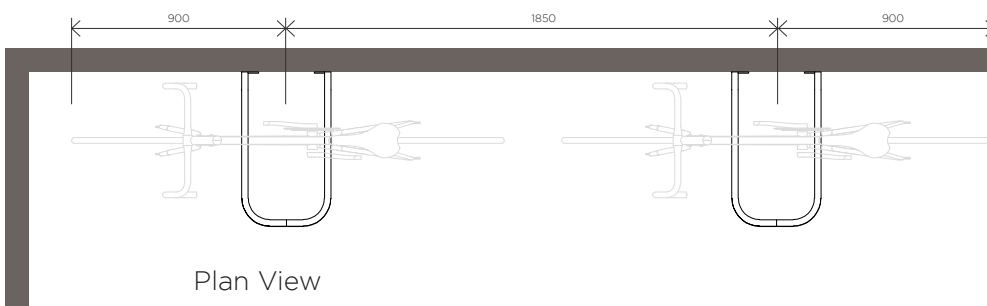


* Mounting height will vary according to vehicle height

Side View



Plan View



CWR2 LAYOUT GUIDE

CWR Series racks should be mounted at a height appropriate for a specific vehicle if clearance above the vehicle bonnet is required. Measures shown are an example only.

For specific assembly and installation instructions relating to CWR Series racks, please refer to individual instruction information sheets.

Racks should not be installed, based on the information on this sheet alone.



CORA
BIKERACK

PH 1800 249 878

sales@cora.com.au

www.cora.com.au