

# CORA BIKE RACK

## PRODUCT SPECIFICATION SHEET



### CBL SERIES

#### CBLV LIGHT DUTY BIKE LOCKER

A single door vertical locker provides a space saving Security Level A parking facility for 1 bike. Vertical parking reduces the horizontal footprint required for tight spaces. Designed for quick and easy assembly. Select from several locking options. This is a light duty version of the original CBLV. Light duty lockers are suitable for indoor applications to reduce costs.

#### Capacity

- Provides secure storage for one bicycle
- Can be mounted in a line for multiple bike installs

#### Construction

- Light duty

#### Fixings

- Stainless steel anchor bolts fixed to ground
- Stainless steel screws for assembly

#### Finishes

- HDG steel frame
- 1.0mm galvanised steel panels
- Option - powder coated panels (on request)

#### Assembly

- Supplied flat packed and partially assembled for full assembly and quick mounting on site

#### Locking

- Secure 3 point door locking mechanism
- Key Option - supplied with individual keys for each locker door
- Latch Option - allows user supplied U lock or padlock
- Electronic Option - battery powered key pad

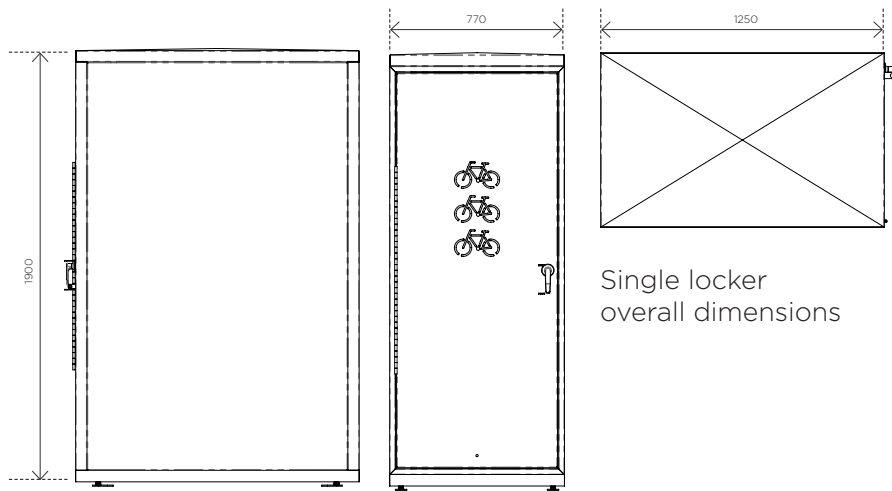
#### Compliance

- Locker is AS2890.3 (2015) compliant



# CORA BIKE RACK

## PRODUCT SPECIFICATION SHEET



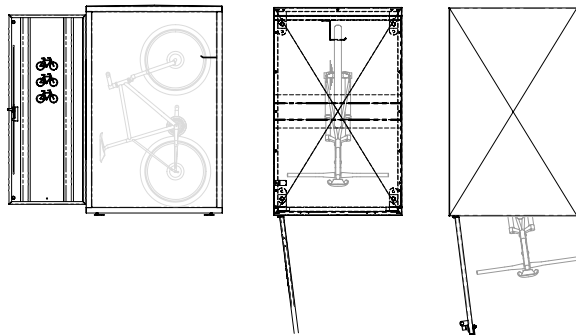
Single locker overall dimensions

### CBLV SERIES BIKE LOCKER LAYOUT GUIDE

**To comply with AS2890.3 (2015) minimum 2000mm aisle spacing between lockers or to wall or obstructions is required.**

For specific assembly and installation instructions relating to CBL Series racks, please refer to individual instruction information sheets.

Racks should not be installed, based on the information on this sheet alone.

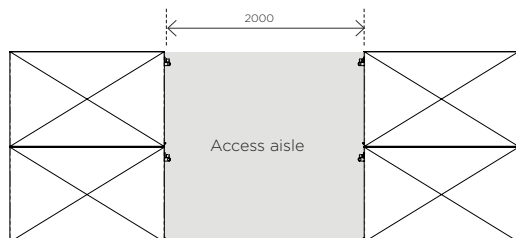
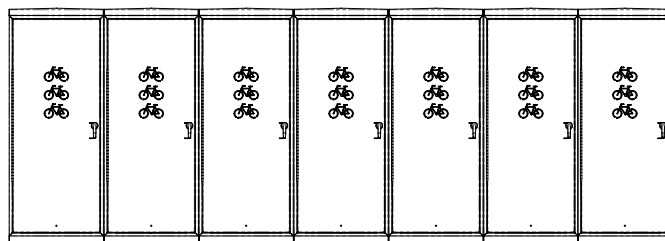


#### Bike access and storage

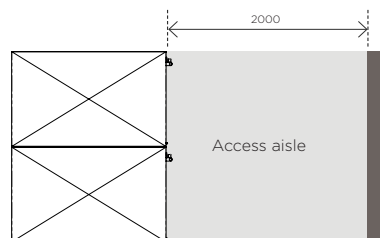
- Bicycle stored securely inside locker in vertical orientation
- Easy access to store and remove bicycle
- Individual locking of each installed locker
- Locker includes internal hooks for holding bike in vertical orientation and also for helmet and bag hanging

#### Single or Multiple install of lockers

Lockers can be installed either as a single locker or next to each other in rows, in multiples as required



Minimum 2000mm aisle spacing between lockers



Minimum 2000mm aisle spacing between lockers and wall or obstructions



PH 1800 249 878

sales@cora.com.au

www.cora.com.au