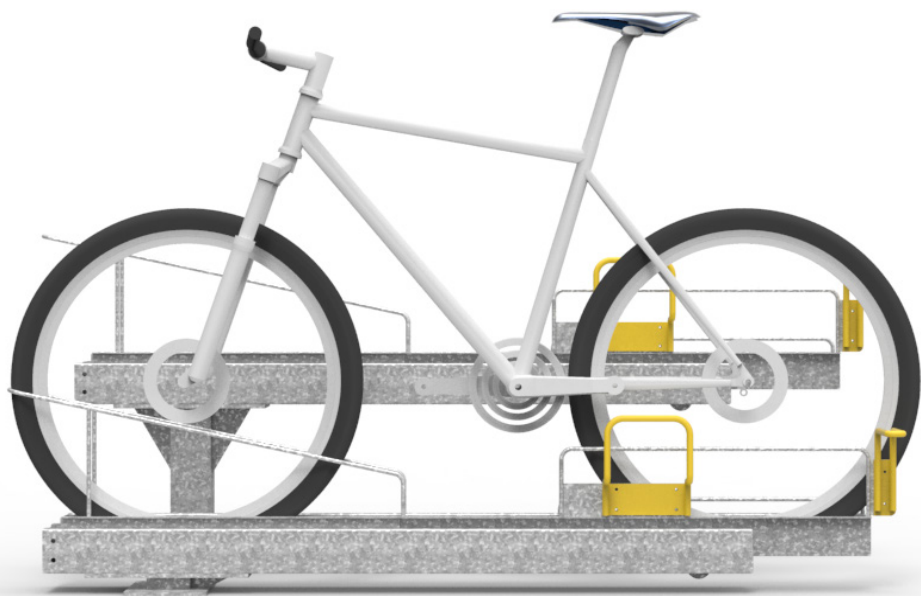


CORA BIKE RACK

PRODUCT SPECIFICATION SHEET



E3GT SERIES

E3GT DYNAMIC GROUND MOUNTED BIKE RACKS

Dynamic in/out motion together with alternating height models. Use as a stand alone surface mount system or as the lower tier of a 2 tier system.

Capacity

- E3GT-H: 1 bike
- E3GT-L: 1 bike

Construction

- Heavy duty high quality steel

Fixings

- M10 anchor bolts with security nuts

Finishes

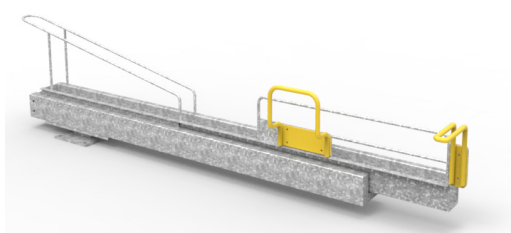
- Galvanised with powder coated accents on handles
- Option - Colour Powder Coat (Cora standard colour range)

Assembly

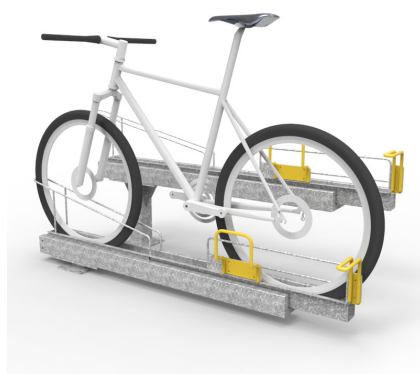
- Supplied partially assembled for assembly and mounting on site

Compliance

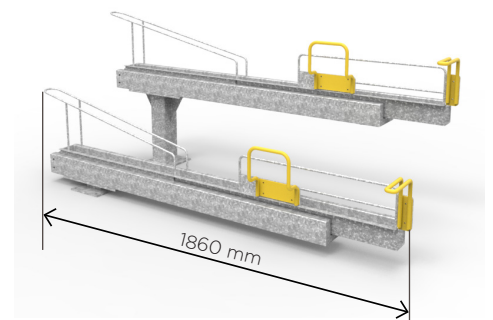
- Rack is AS2890.3 (2015) compliant



SINGLE RACK
GROUND MOUNTED

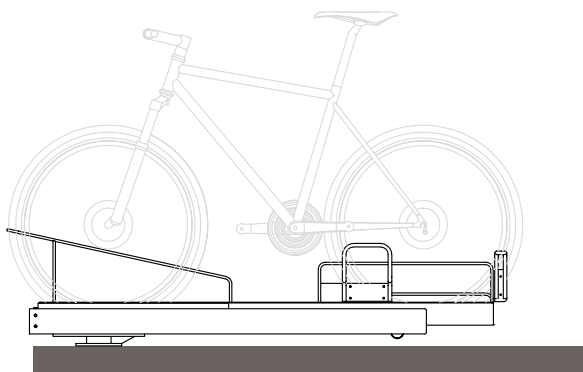


ALTERNATING HEIGHTS



CORA BIKE RACK

PRODUCT SPECIFICATION SHEET



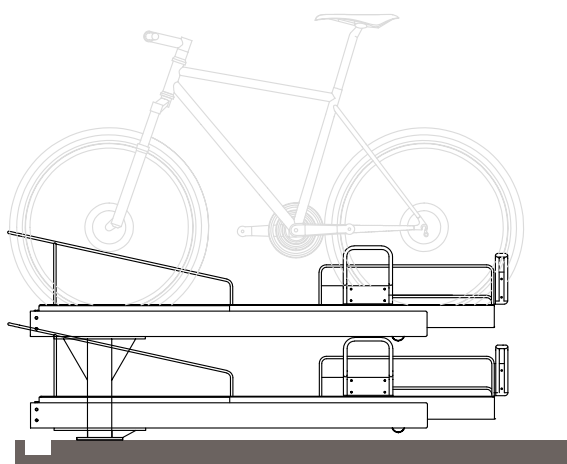
Side View
Single Tier

E3GT GROUND MOUNT LAYOUT GUIDE

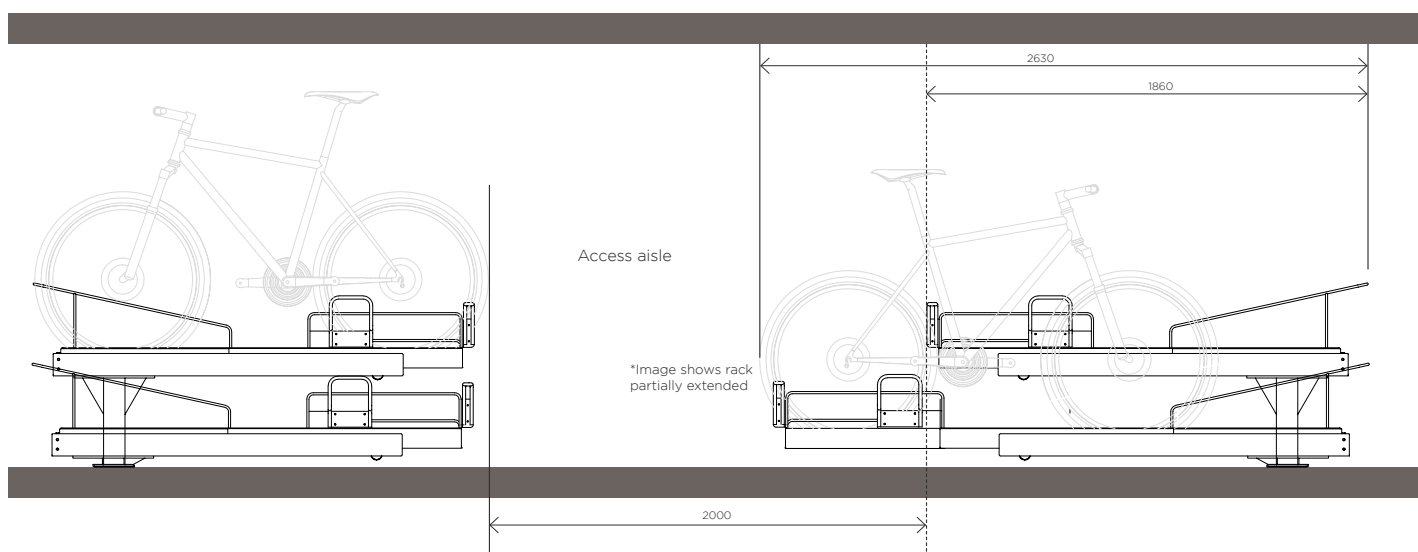
To comply with AS2890.3 (2015) minimum 400mm spacing between posts centres and to edge of walls or other obstructions is required, use alternate height. Spacings of under 400mm are possible where compliance with AS2890.3 (2015) is not required.

For specific assembly and installation instructions relating to E3GT Series racks, please refer to individual instruction information sheets.

Racks should not be installed, based on the information on this sheet alone.



Side View
Double Tier

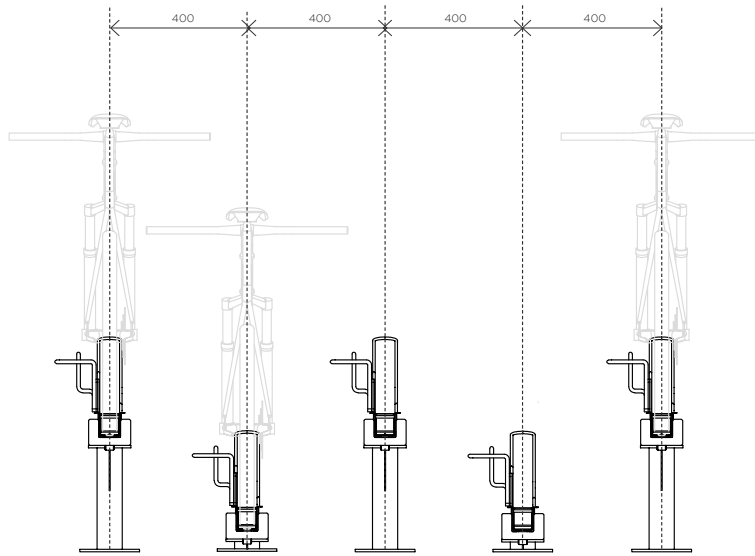


Dimensions and spacing for racks (single or double row)

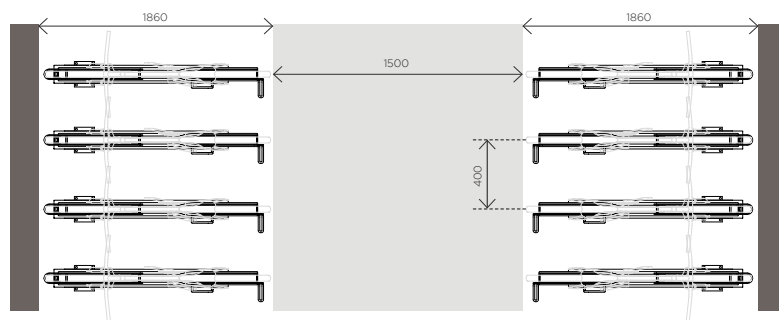
To comply with AS2890.3 (2015) minimum 2000mm aisle width between racks or to edge of walls or other obstructions, for single or double rack installations

CORA BIKE RACK

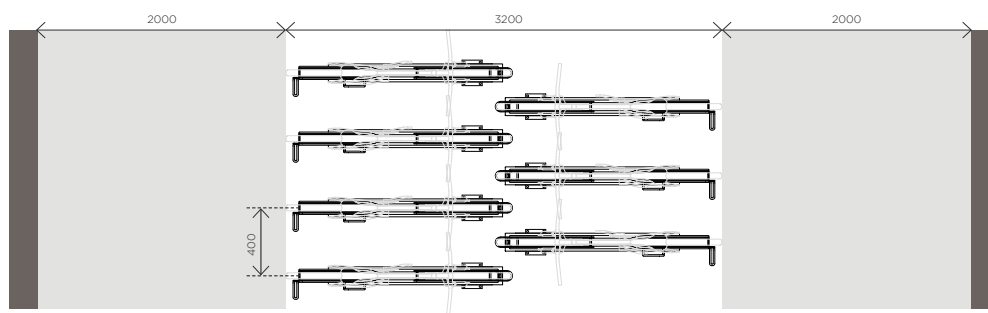
PRODUCT SPECIFICATION SHEET



Horizontal Rack Spacing - single or double row
(showing alternating heights)



Single sided, double row layout



Double sided nested rack layout

E3GT GROUND MOUNT LAYOUT GUIDE

To comply with AS2890.3 (2015), 400mm spacings are shown at alternating heights.

For specific assembly and installation instructions relating to E3GT Series racks, please refer to individual instruction information sheets.

Racks should not be installed, based on the information on this sheet alone.



CORA
BIKERACK

PH 1800 249 878

sales@cora.com.au

www.cora.com.au