

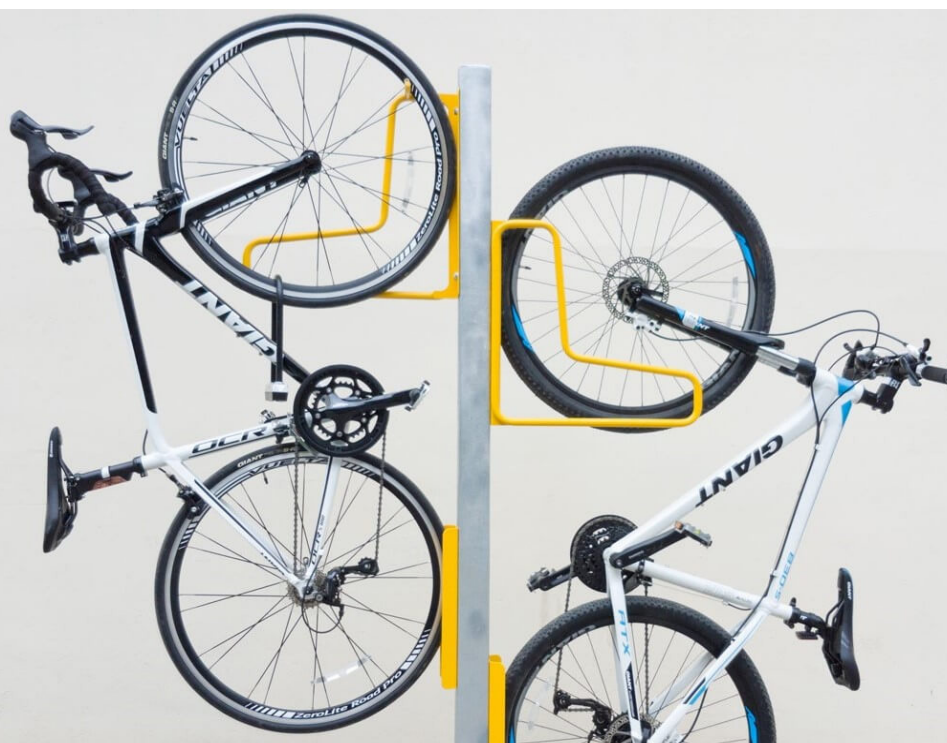
CORA BIKE RACK

PRODUCT SPECIFICATION SHEET

E3VR SERIES

E3VR-F VERTICAL WALL OR POST MOUNTED BIKE RACK

Cora's latest vertical product design, the E3VR is available in several innovative models: wheel hold, wheel hook (for fenders), 45° angled, and dynamic moving racks. The E3VR-F uses a strategically placed wheel hook to safely park bicycles that have a fender installed. The E3VR-F can be mounted directly to existing walls or to the E3VR-P mounting post.



Capacity

- 1 bike per rack

Construction

- Heavy duty high quality steel
- 16mm CHS x 1.2mm

Fixings

- 3 x M8 x 40mm pin head torx security screws with tool, washers and nylon wall plugs included

Finishes

- In Stock - Yellow Powder Coat
- Option - Galvanised
- Option - 304 Stainless Steel
- Option - Colour Powder Coat (Cora standard colour range)

Assembly

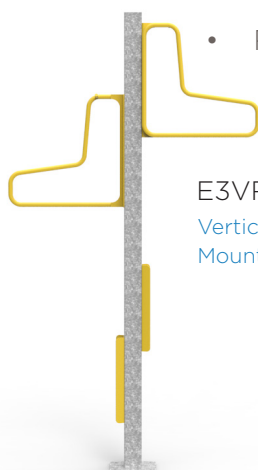
- Supplied fully welded and assembled. For pole mounted option, assembly to E3VR-P pole required

Compliance

- Rack is AS2890.3 (2015) compliant

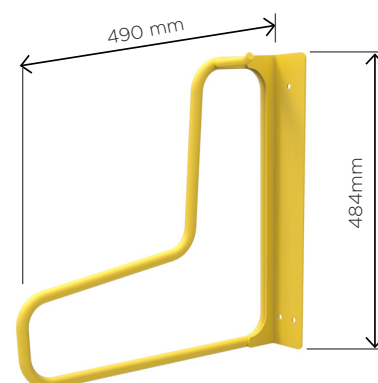


SINGLE RACK
POLE MOUNTED



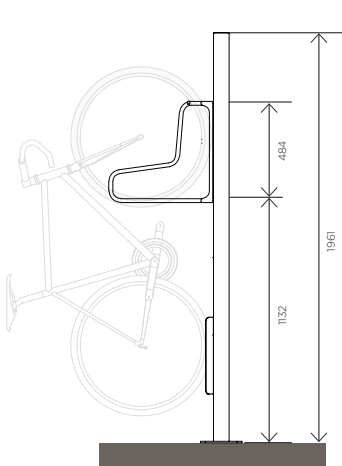
E3VR-F
Vertical Wall Or Pole
Mounted Bike Rack

DOUBLE RACK
POLE MOUNTED



CORA BIKE RACK

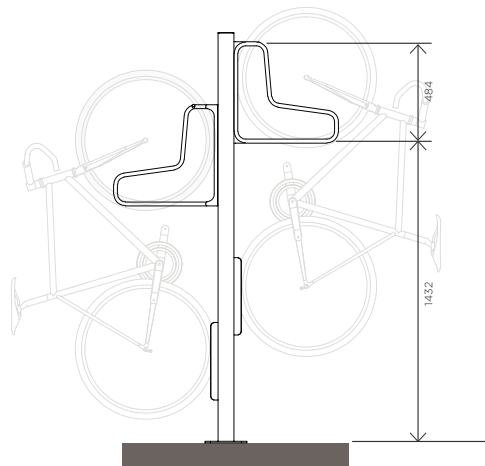
PRODUCT SPECIFICATION SHEET



Side View
Single Rack

For single mounted racks

If mounting only one rack, the rack should be fixed in lower position to minimise lifting for the cyclist.



Side View
Double Rack

For double mounted racks,

Rack location on post should be alternated, on both sides of post

E3VR-F POLE MOUNT LAYOUT GUIDE

To comply with AS2890.3 (2015) minimum 500mm spacing between posts centres and to edge of walls or other obstructions is required.

Spacings of 400-500mm are possible where compliance with AS2890.3 (2015) is not required.

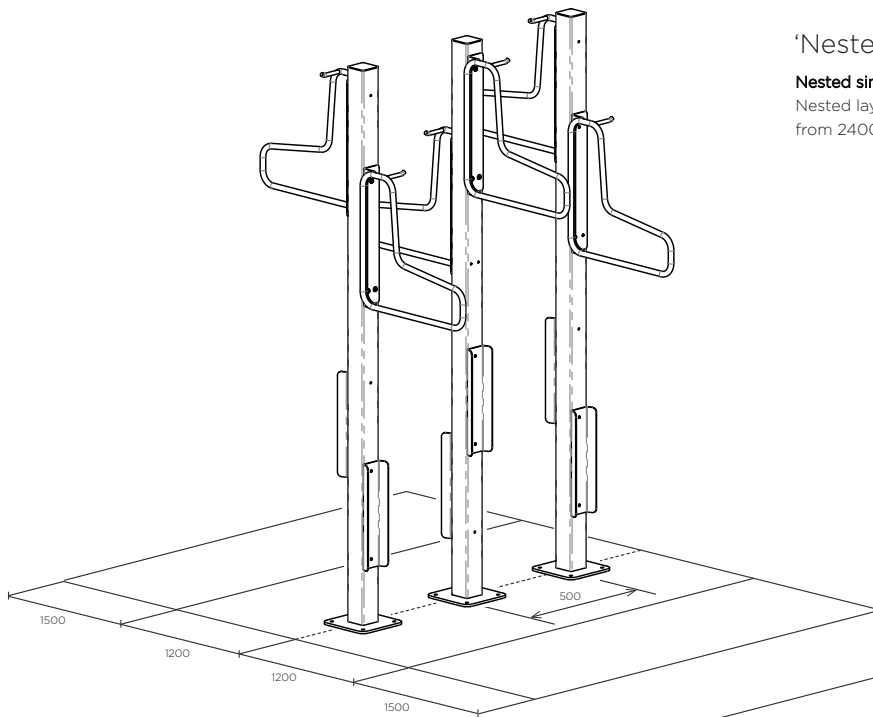
For specific assembly and installation instructions relating to E3VR Series racks, please refer to individual instruction information sheets.

Racks should not be installed, based on the information on this sheet alone.

Double sided alternating rack height

Access dimensions for posts

If multiple posts are mounted in a row, Racks must be alternated in location on pole.



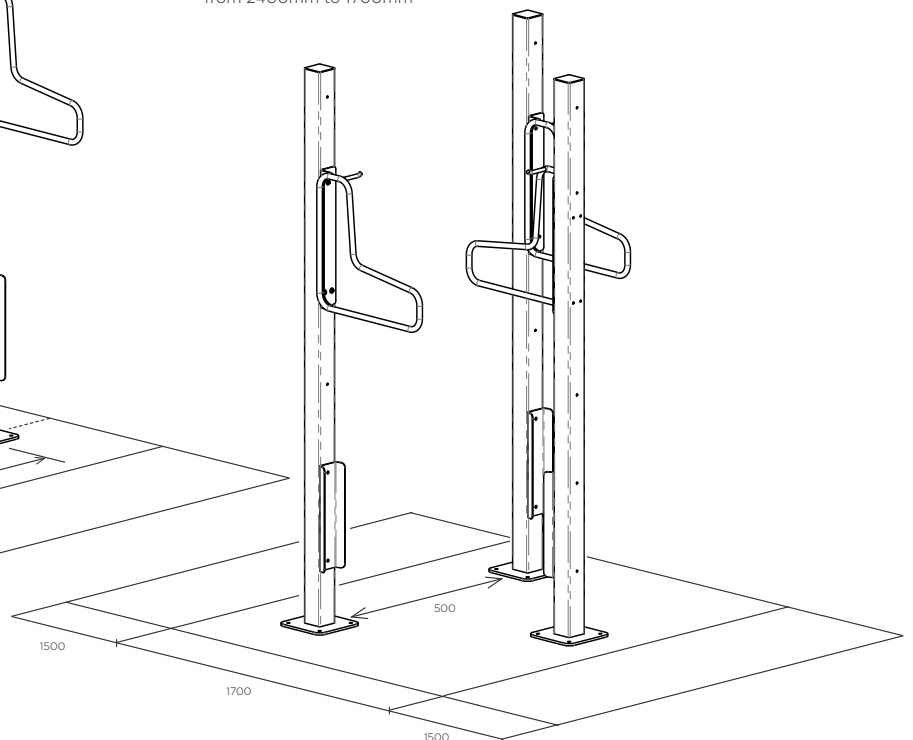
Access dimensions

Posts are to be mounted with minimum clearance zones from either side a rack is mounted.

'Nested' single side

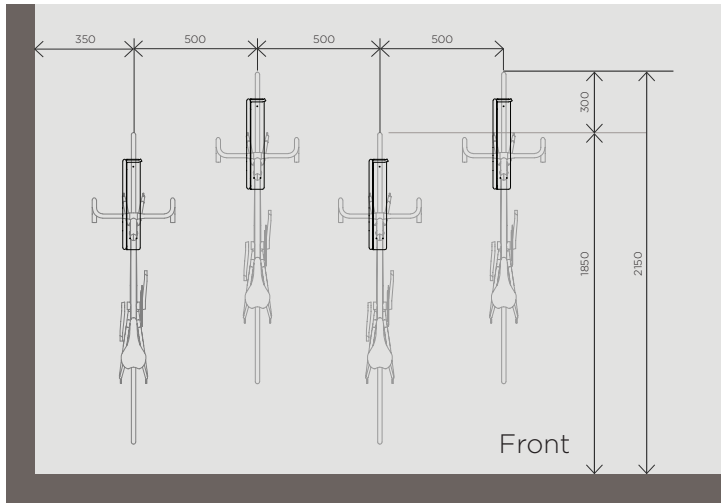
Nested single side layout

Nested layout reduces the footprint from 2400mm to 1700mm



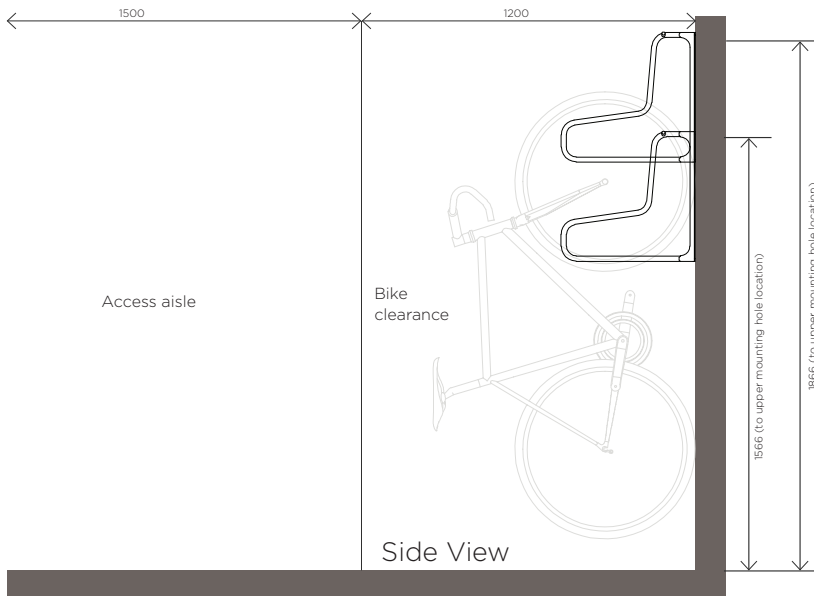
CORA BIKE RACK

PRODUCT SPECIFICATION SHEET



Note: If all racks are to be mounted at the same height, racks must be spaced at 700mm centres.

* Minimum ceiling height: Staggered - 2200
Single level - 1900



E3VR-F WALL MOUNT LAYOUT GUIDE

To comply with AS2890.3 (2015), 500mm spacings are shown at alternating heights.

Spacings of 400-500mm are possible where compliance with AS2890.3 (2015) is not required.

For specific assembly and installation instructions relating to E3VR Series racks, please refer to individual instruction information sheets.

Racks should not be installed, based on the information on this sheet alone.



CORA
BIKERACK

PH 1800 249 878

sales@cora.com.au

www.cora.com.au