

CORA BIKE RACK

PRODUCT SPECIFICATION SHEET

SR SINGLE & DOUBLE SIDED SCOOTER RACK

- Education and recreation facilities all face an increasing need to provide an organised and secure parking solution for scooters
- Users can secure their scooter with a padlock
- The SR Scooter racks are designed for smaller kick style scooters. For larger eScooter parking racks, see Cora's ASR models

ORGANISED SCOOTER PARKING SOLUTION FOR EDUCATION FACILITIES



SRS10 (single sided rack)



SRD20 (double sided rack)

DESIGNED FOR
SCOOTERS WITH →



SPECIFICATIONS

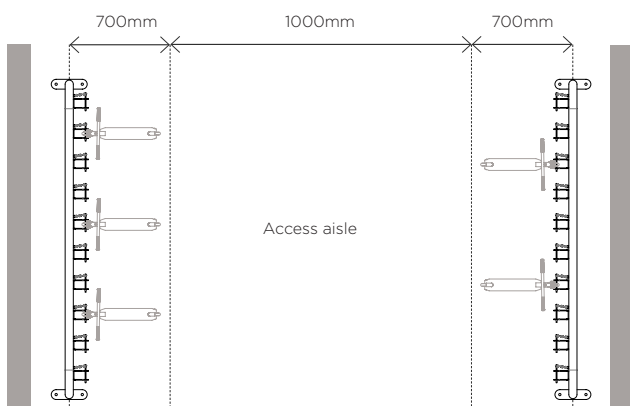
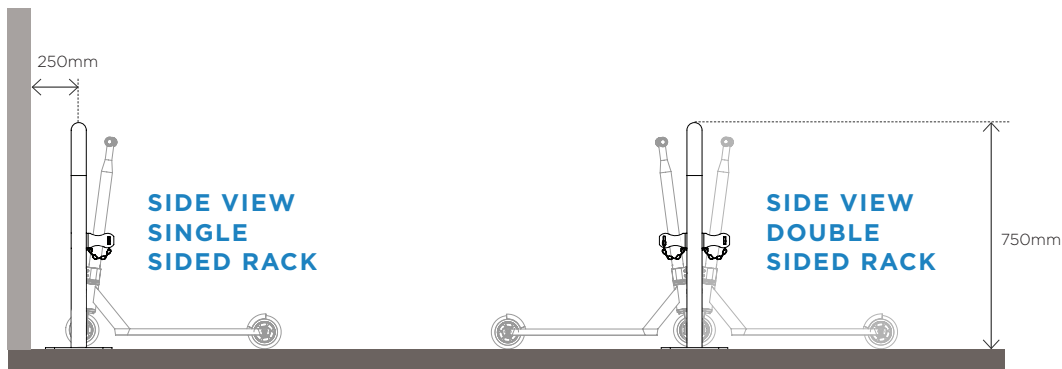
Capacity	Finish	Fixings	Assembly	Construction	Function
SRS10: single side 10 scooters SRD20: double side 20 scooters	<ul style="list-style-type: none">- Cora ceramic or colour powder coat range- In stock galvanised	4 x M12 x 80mm anchor bolts with tamper resistant fasteners	Supplied fully welded and assembled	Heavy duty high quality steel	Accommodates kick scooters (not the larger e-scooter styles)

CORA BIKE RACK

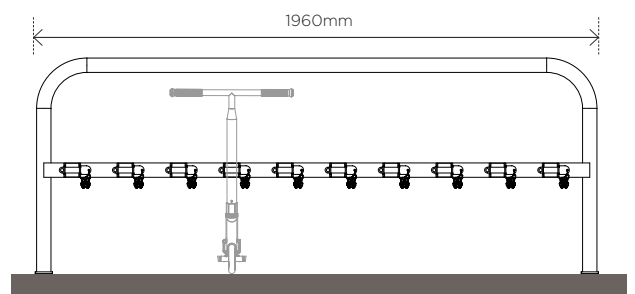
PRODUCT SPECIFICATION SHEET

SR RACK

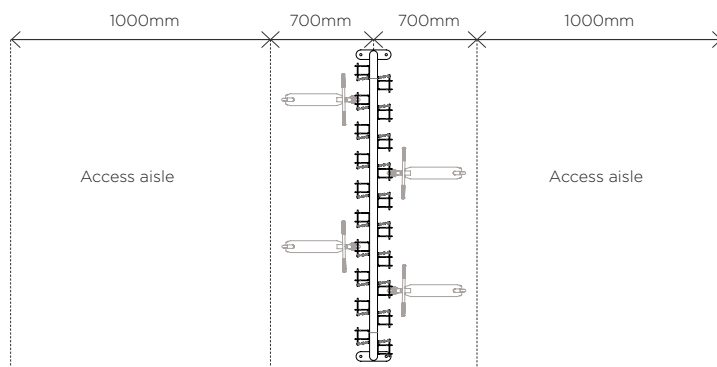
LAYOUT GUIDE



SINGLE SIDED ACCESS



FRONT VIEW



DOUBLE SIDED ACCESS

Refer to Installation Instructions sheet for specific installation and assembly guidelines. Racks should **NOT** be installed based on this sheet alone.