

CORA BIKE RACK

PRODUCT SPECIFICATION SHEET

EXPO 7510-J JUNIOR BIKE RACK

- The EXPO 7510-J has been designed to accommodate junior size bikes - ideal for primary schools and locations that need to accommodate young childrens' bikes
- Can be installed for single or double sided access for maximum capacity
- Shipped fully welded for vandal resistance with no assembly required, includes stainless steel tamper resistant fixings

DESIGNED TO ACCOMMODATE **JUNIOR** SIZE BIKES



DESIGNED FOR
BIKES WITH →



A WHEEL
DIAMETER OF
= 24-29"



ANY TYRE
WIDTH

FENDERS /
MUDGUARDS

SPECIFICATIONS

Capacity	Finish	Fixings	Assembly	Construction	Compliance
Single Side: 7 bikes Double Side: 10 bikes	- Galvanised - 316 stainless - Cora ceramic or powder colour range	2 x M12 x 120mm anchor bolts with tamper resistant fasteners included	Supplied fully welded and assembled	Mainframe: 60.3 OD x 3.2 MD Hangers: 20mm round bar	Not compliant with AS2890.3 (2015) spacings

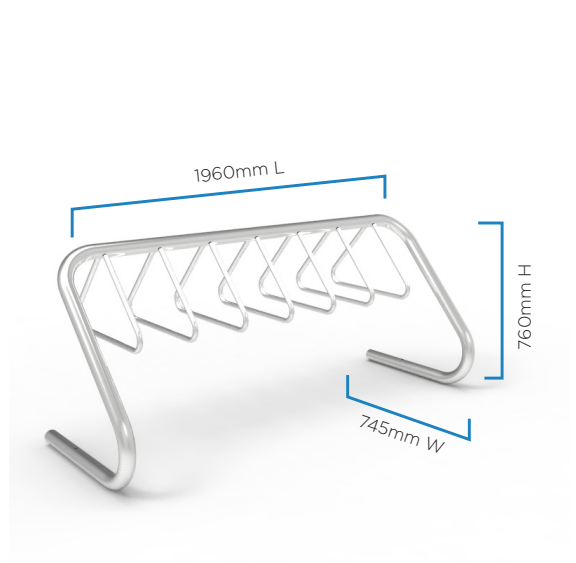
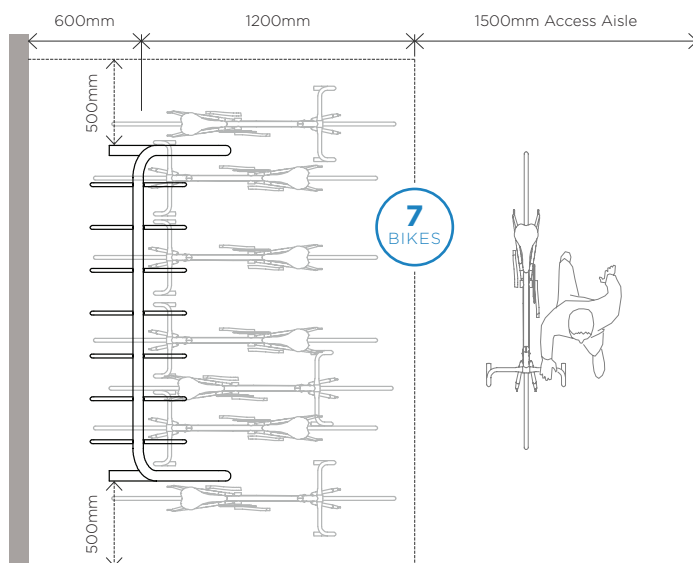
CORA BIKE RACK

PRODUCT SPECIFICATION SHEET

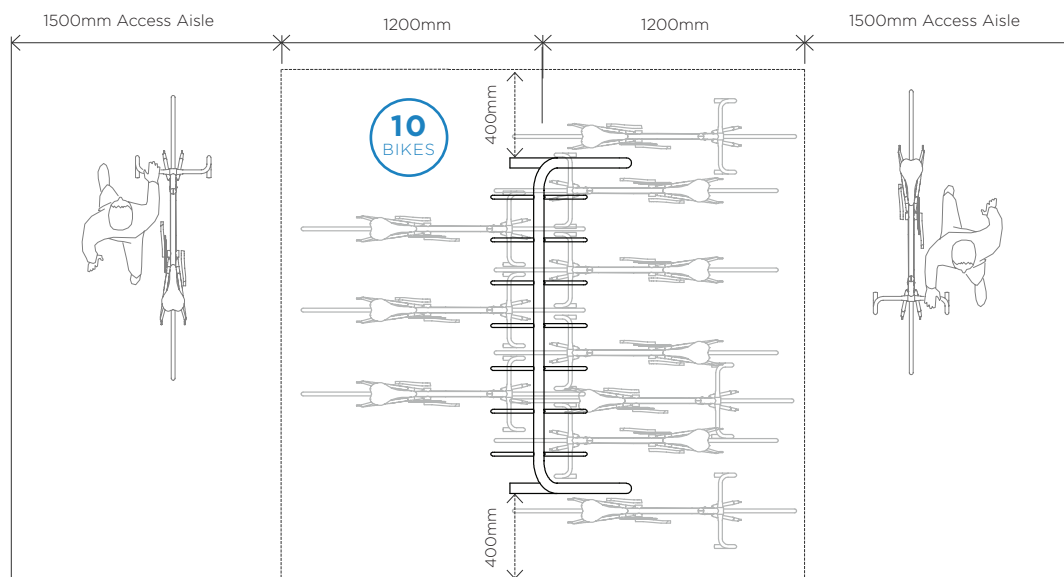
EXPO 7510-J

LAYOUT GUIDE

SINGLE RACK MAXIMUM CAPACITY



TOP VIEW - SINGLE SIDE ACCESS



TOP VIEW - DOUBLE SIDE ACCESS

Refer to Installation Instructions sheet for specific installation and assembly guidelines. Racks should **NOT** be installed based on this sheet alone.

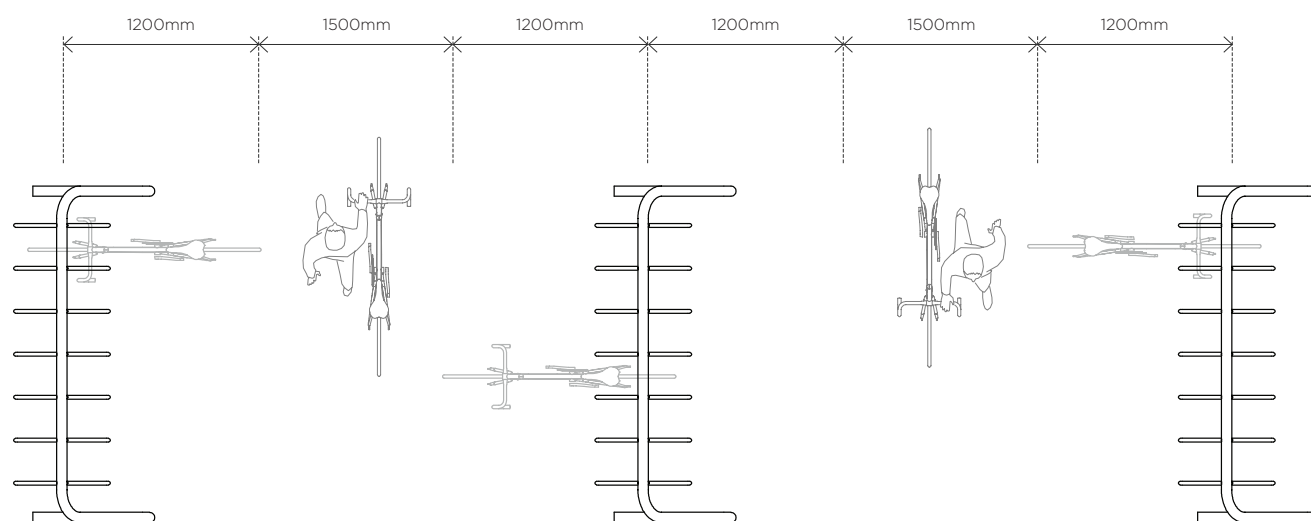
CORA BIKE RACK

PRODUCT SPECIFICATION SHEET

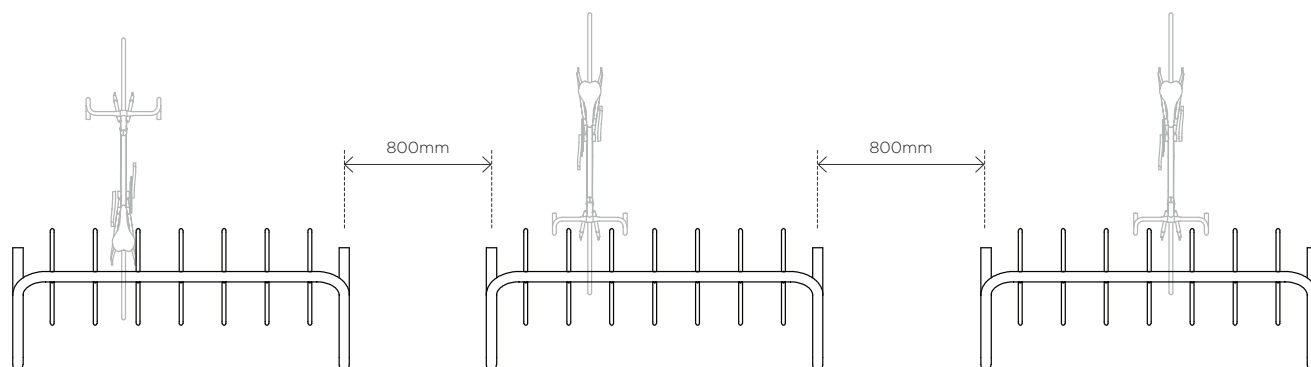
EXPO 7510-J

LAYOUT GUIDE

MULTIPLE RACKS IN CLUSTER LAYOUT



IN LINE CLUSTER



PARALLEL CLUSTER

Refer to Installation Instructions sheet for specific installation and assembly guidelines. Racks should **NOT** be installed based on this sheet alone.