

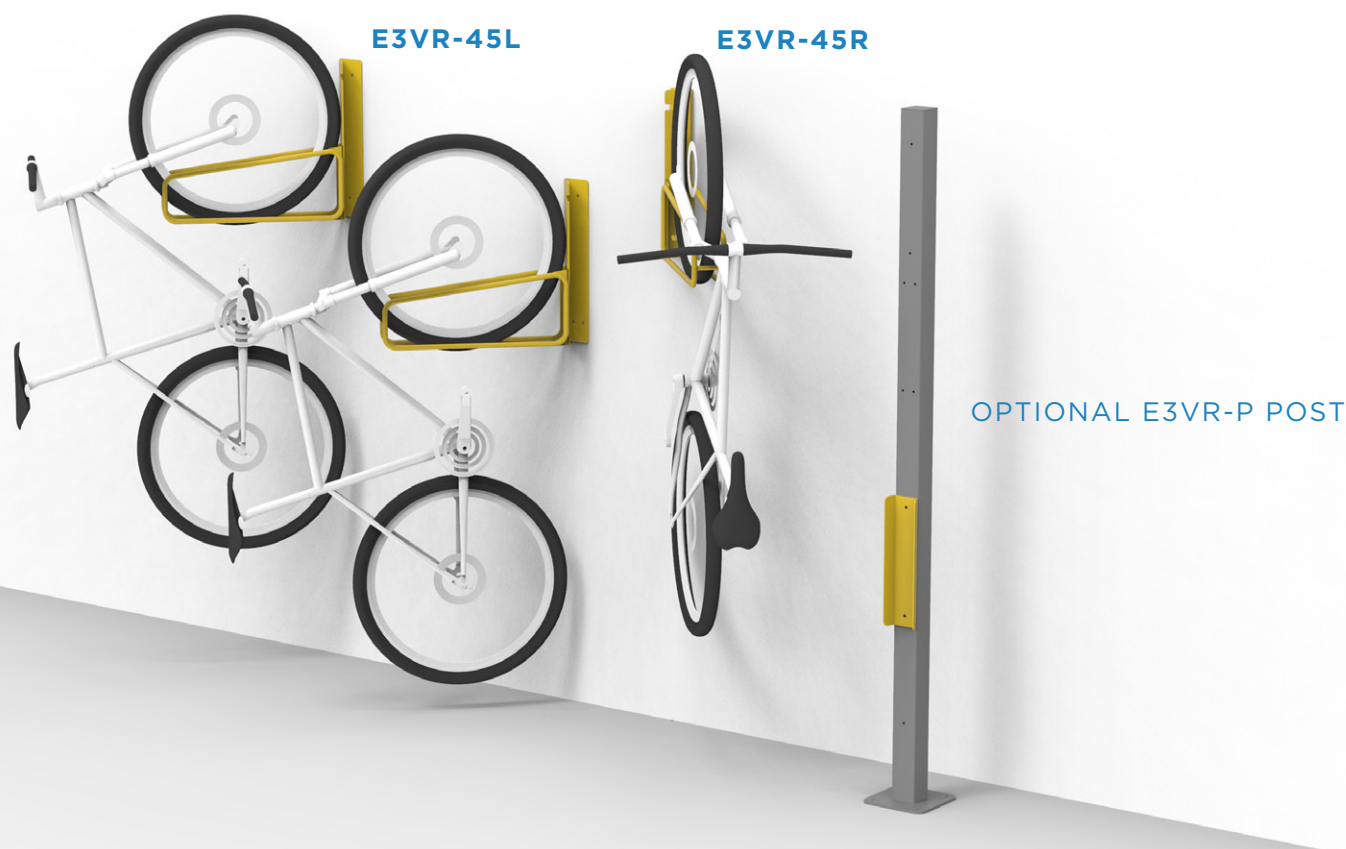
# CORA BIKE RACK

## PRODUCT SPECIFICATION SHEET

### E3VR-45

- The E3VR-45L and E3VR-45R provide angled vertical parking to reduce the distance a bicycle extends from the wall or mounting post
- Ideal for narrow bike parking areas where normal 90 degree racks will not fit
- Bikes will enter this rack either left or right of centre
- The rack can be mounted directly to existing walls or to the **E3VR-P** mounting post

#### ANGLED VERTICAL BIKE RACK FOR **NARROW** AREAS



DESIGNED FOR  
BIKES WITH



A WHEEL  
DIAMETER OF  
= 20-29"



A MAXIMUM  
TYRE WIDTH OF  
= 65mm / 2.5"



A MAXIMUM  
WEIGHT OF = 30KG

NO FENDERS /  
MUDGUARDS

#### SPECIFICATIONS

Capacity	Finish	Fixings	Assembly	Construction	Compliance
1 bike per rack	Cora yellow powder coat (ex stock) or select from Cora colour range	3 x M8 x 40mm pin head torx security screws with tool, washers and wall plugs included	Supplied fully welded and assembled (E3VR-P required for post mount option)	Mild steel / 16mm CHS x 1.2mm	AS2890.3 (2015) compliant

# CORA BIKE RACK

## PRODUCT SPECIFICATION SHEET

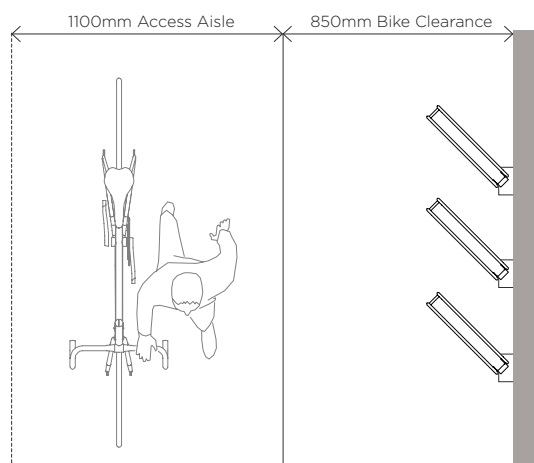
### E3VR-45

# WALL MOUNTED BIKE RACK

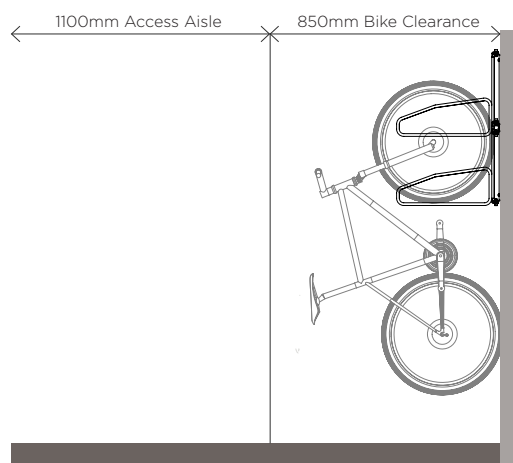
## LAYOUT GUIDE

To comply with AS2890.3 (2015), minimum spacing between rack centres must be:

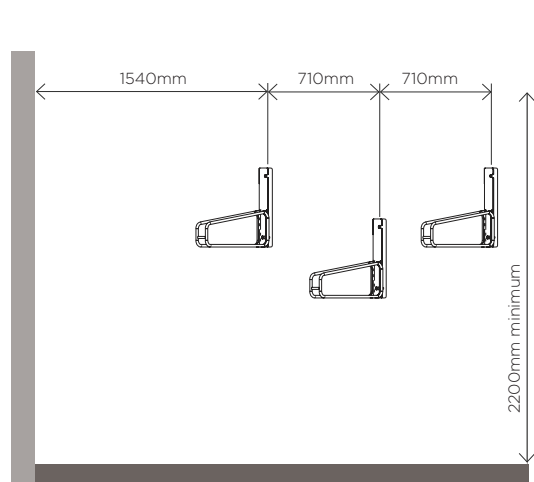
- ▶ 710mm if adjacent racks are offset in height by 300mm (this creates a 500mm envelope width)



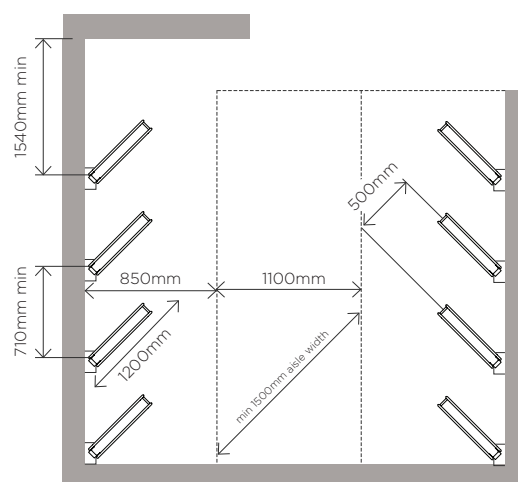
TOP VIEW



SIDE VIEW



FRONT VIEW STAGGERED RACKS



TOP VIEW STAGGERED RACKS

Refer to Installation Instructions sheet for specific installation and assembly guidelines. Racks should **NOT** be installed based on this sheet alone.

# CORA BIKE RACK

## PRODUCT SPECIFICATION SHEET

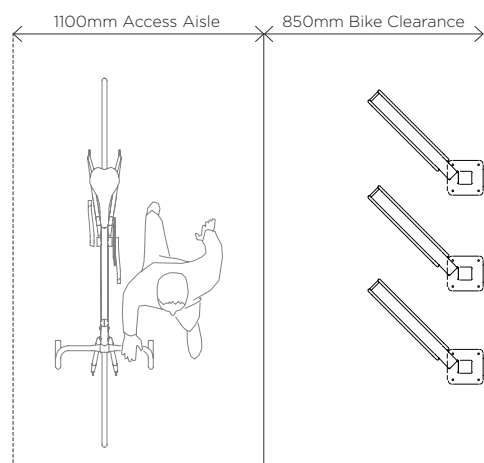
### E3VR-45

## POST MOUNTED BIKE RACK

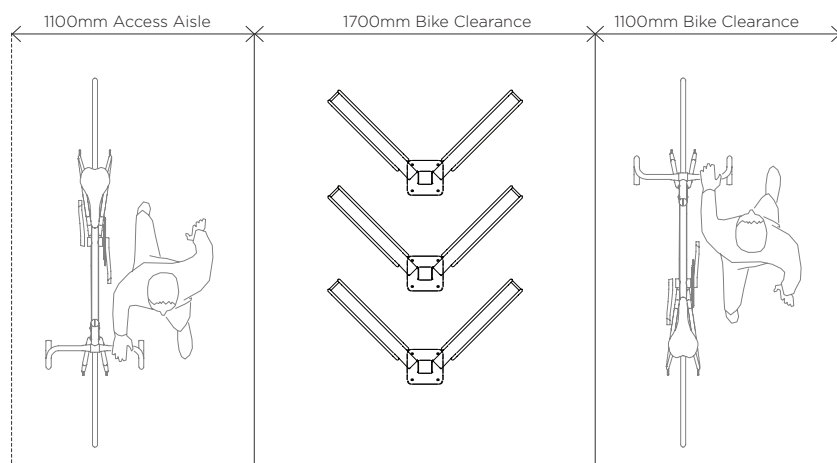
### LAYOUT GUIDE \*E3VR-P POST REQUIRED

To comply with AS2890.3 (2015), minimum spacing between rack centres must be:

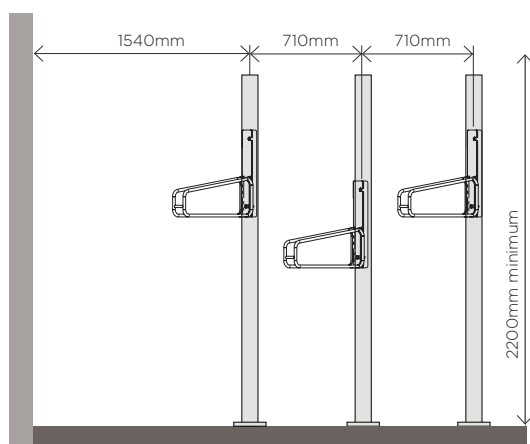
- ▶ 710mm if adjacent racks are offset in height by 300mm (this creates a 500mm envelope width)



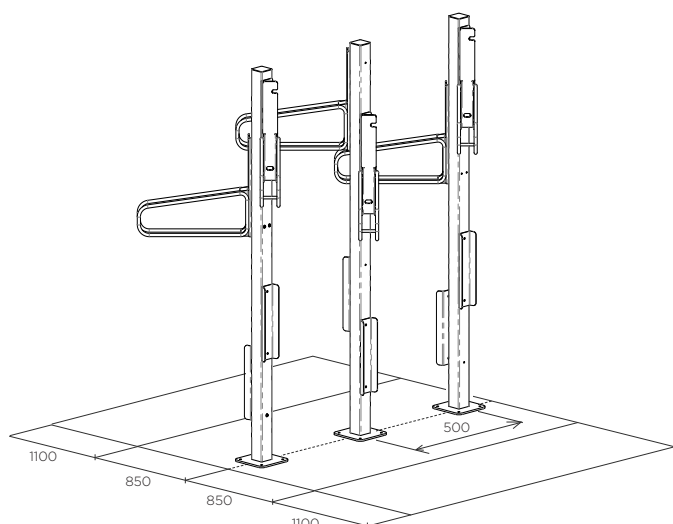
TOP VIEW SINGLE SIDED



TOP VIEW DOUBLE SIDED



FRONT VIEW STAGGERED RACKS



PERSPECTIVE VIEW DOUBLE SIDED RACKS

Refer to Installation Instructions sheet for specific installation and assembly guidelines. Racks should **NOT** be installed based on this sheet alone.

[sales@cora.com.au](mailto:sales@cora.com.au)  
[www.cora.com.au](http://www.cora.com.au)