

CORA BIKE RACK

PRODUCT SPECIFICATION SHEET

BIKE MAINTENANCE STAND & PUMP

- A convenient facility to repair or maintain bikes on the go
- Maintenance stand comes complete with repair tools
- Pump can be used on both Presta and Schrader valve types
- Pump is suitable for indoor bike rooms. For outdoor use, please ask us about our 'Saris' outdoor models

CONVENIENTLY MAINTAIN YOUR BIKE ON THE GO



BMSP
(Bike Maintenance Stand & Pump)



SPECIFICATIONS

Capacity	Models	Finish (stand & pump)	Fixings	Assembly	Function
1 bike per stand	BMSP – Maintenance Stand & Pump BMS – Maintenance Stand Only BP – Indoor Pump	<ul style="list-style-type: none">- Cora ceramic or colour powder coat range- 304 stainless steel	4 x M12 x 80mm anchor bolts with tamper resistant fasteners	Pump supplied fully welded and assembled Maintenance stand requires partial assembly on site	Accommodates most standard adult size bikes

TOOLS INCLUDED →

Screwdriver Flat Head
Screwdriver Phillips Head
Hex socket multi tool

x 1

Bicycle Tyre Lever

x 2

Open end Spanner 10mm/12mm
Open end Spanner 8mm/9mm
Open end Spanner 11mm/13mm
Open end Spanner 14mm/15mm
Open end Spanner 30mm/32mm

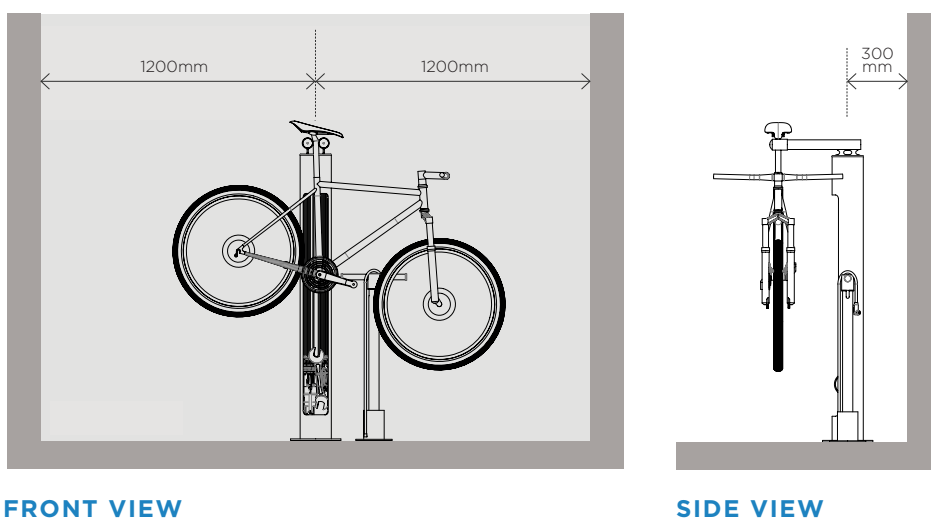
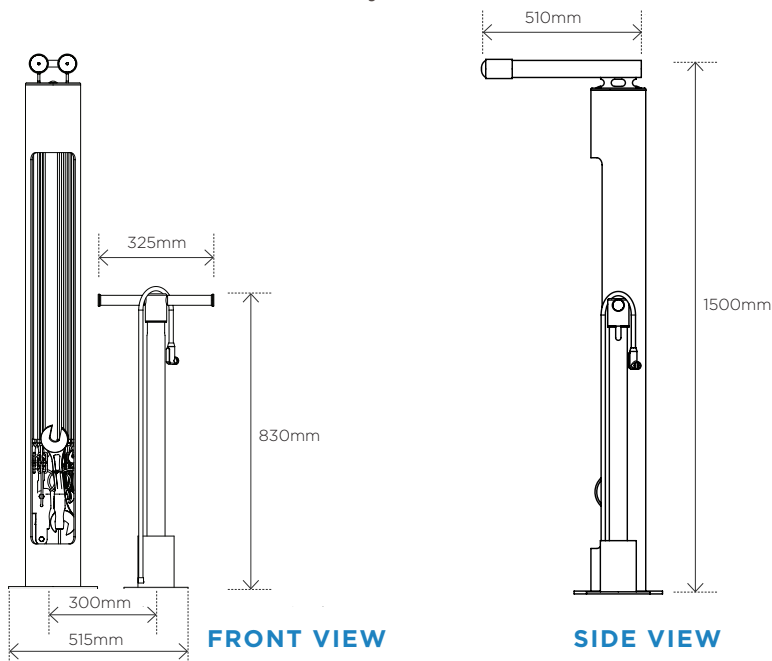
x 1

CORA BIKE RACK

PRODUCT SPECIFICATION SHEET

BMSP LAYOUT GUIDE

BMSP SPACING - spaced at minimum 1200mm from centre of the maintenance stand to any obstruction for bike accessibility



Refer to Installation Instructions sheet for specific installation and assembly guidelines. Racks should **NOT** be installed based on this sheet alone.