

CORA BIKE RACK

PRODUCT SPECIFICATION SHEET

ASR SCOOTER RACK

- A stylish scooter rack to safely park adult size scooters (ASR)
- A sought after amenity for employee and resident bike rooms and street scapes
- Can be mounted side by side for multi rack installs
- Racks are individually lockable with the user's own U-Lock

SAFELY STORE AND LOCK YOUR SCOOTER IN STYLE



ASR (scooter rack)



DESIGNED FOR
SCOOTERS WITH →



LOCKABLE
PADLOCK
/ U-LOCK

SPECIFICATIONS

Capacity	Finish	Fixings	Assembly	Construction	Function
1 scooter per rack	<ul style="list-style-type: none">- Cora ceramic or colour powder coat range- 304 stainless steel	3 x M10 x 80mm anchor bolts with tamper resistant fasteners	Attach lock brackets Fix rack to concrete surface	Main post: 100x50x2mm pipe Lock bracket: 5mm steel	Accommodates most standard adult size scooters and e-scooters

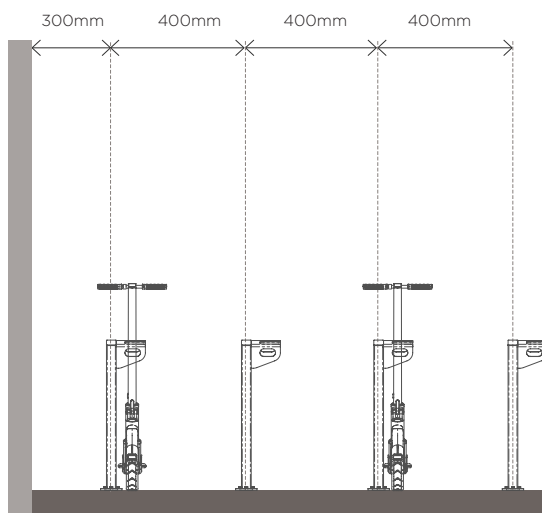
CORA BIKE RACK

PRODUCT SPECIFICATION SHEET

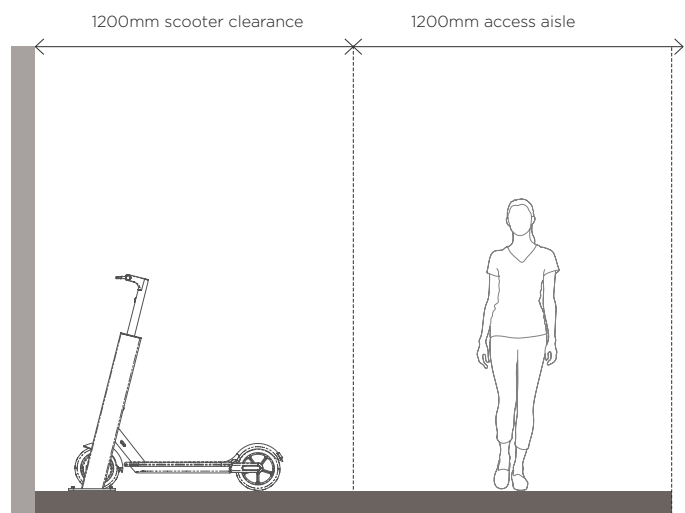
ASR SCOOTER RACK

LAYOUT GUIDE

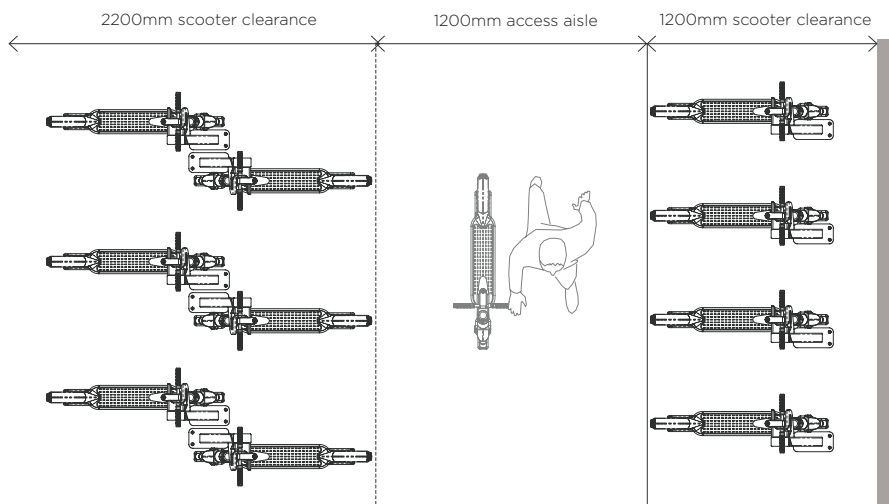
SCOOTER RACK SPACING - 400mm minimum between scooters and 300mm minimum to a wall or other obstruction



FRONT VIEW



SIDE VIEW



TOP VIEW

Refer to Installation Instructions sheet for specific installation and assembly guidelines. Racks should **NOT** be installed based on this sheet alone.