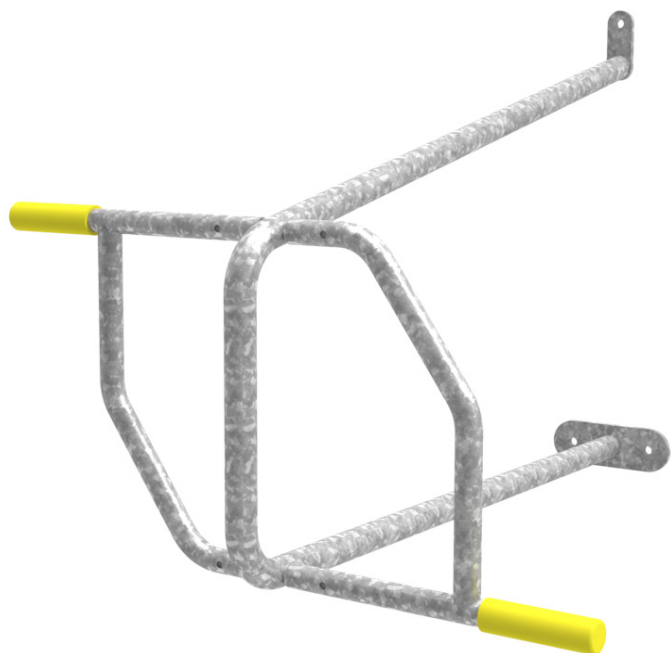


CORA BIKE RACK

PRODUCT SPECIFICATION SHEET



CVR SERIES

CVR2N VERTICAL WALL MOUNTED BIKE RACKS

The Cora CVR Series provide space efficient vertical wall mounted bike parking spaces. The CVR2N rack is an improved design to hold 2 bikes in a very compact manner supporting each bike by its frame. Best suited to indoor or covered areas such as car parks and bike rooms.

Capacity

- Single side access - 1 bike
- Double sided access - 2 bikes

Construction

- Heavy duty high quality steel or 304 stainless
- 28mm CHS x 2.5mm

Fixings

- 3 x M8 x 40mm pin head torx security screws with tool, washers and nylon wall plugs included

Finishes

- In stock - Galvanised
- Option - 304 Stainless Steel
- Option - Colour Powder Coat (Cora standard colour range)

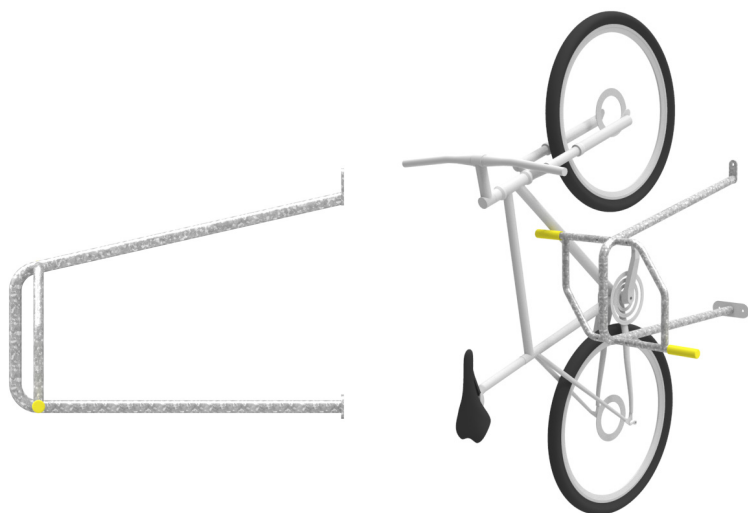
Assembly

- Supplied partially assembled for assembly and mounting on site

Compliance

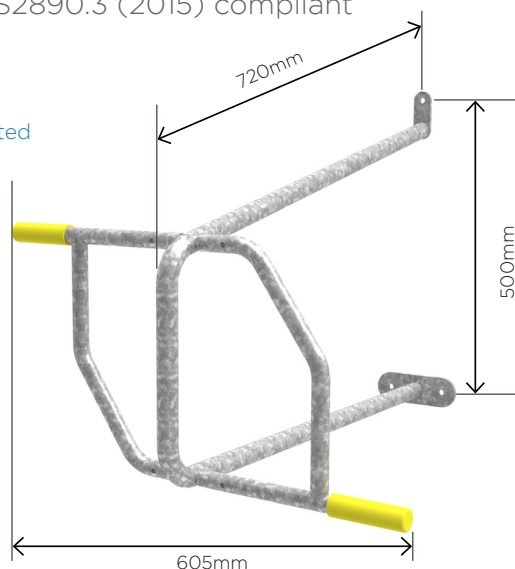
- Rack is AS2890.3 (2015) compliant

CVR2N
2 bike capacity,
bicycles supported
by bike frame



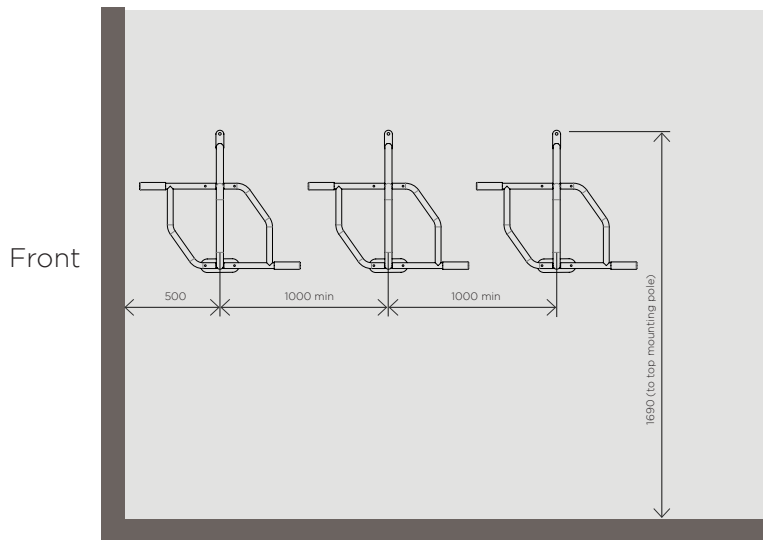
SIDE VIEW

ISOMETRIC VIEW



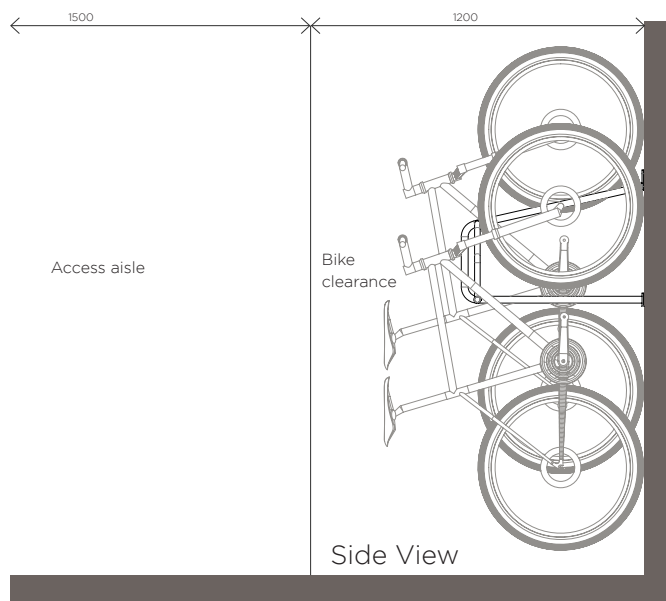
CORA BIKE RACK

PRODUCT SPECIFICATION SHEET



Note: Racks must be mounted at the same height. They must be spaced at 1000mm centres with 500mm from any obstruction.

* Minimum ceiling height 2200mm



CVR2N LAYOUT GUIDE

To comply with AS2890.3 (2015), 1000mm spacings are shown.

For specific assembly and installation instructions relating to CVR Series racks, please refer to individual instruction information sheets.

Racks should not be installed, based on the information on this sheet alone.



CORA
BIKERACK

PH 1800 249 878

sales@cora.com.au

www.cora.com.au