

# CORA BIKE RACK

## PRODUCT SPECIFICATION SHEET



### BMSP SERIES

#### BIKE MAINTENANCE STAND AND PUMP

Cora Bike Rack's economical bike work stand provides cyclists with a convenient facility to repair or maintain their bikes and is a great way to encourage cycling and ensure a smooth ride. Maintenance stand comes complete with repair tools and tyre pump.

#### Capacity

- Single stand 1 bike per bike holder

#### Construction

- Heavy duty steel (stand only) or 304 Stainless

#### Fixings

- M10 anchor bolts with security shear nut heads supplied

#### Finishes - Stand

- Galvanised
- Stainless Steel 304
- Option - powder coating of complete stand

#### Finishes - Pump

- Stainless Steel 304
- Option powder coating of complete pump

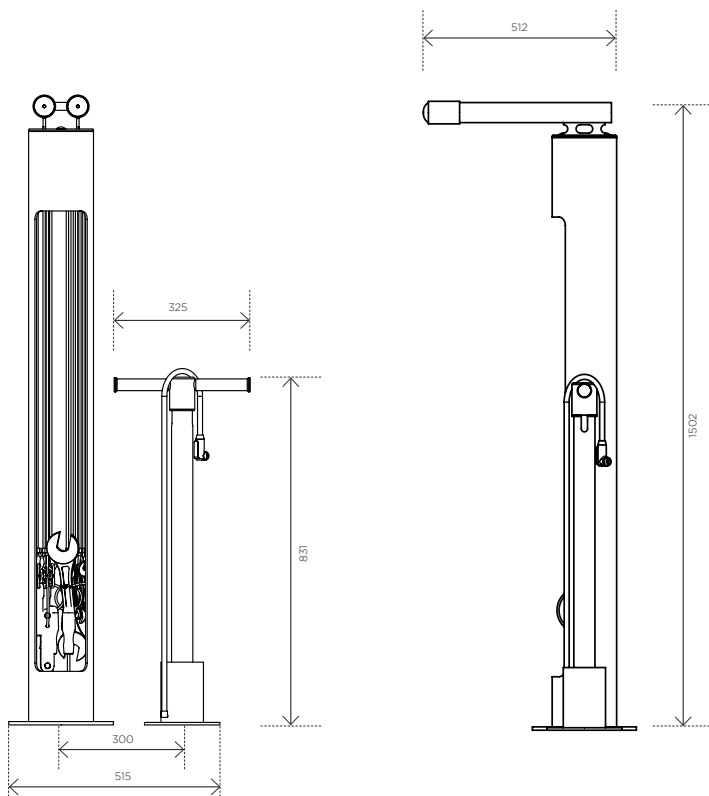
#### Assembly

- Pump supplied fully welded and assembled.
- Maintenance stand requires partial assembly on site



# CORA BIKE RACK

## PRODUCT SPECIFICATION SHEET

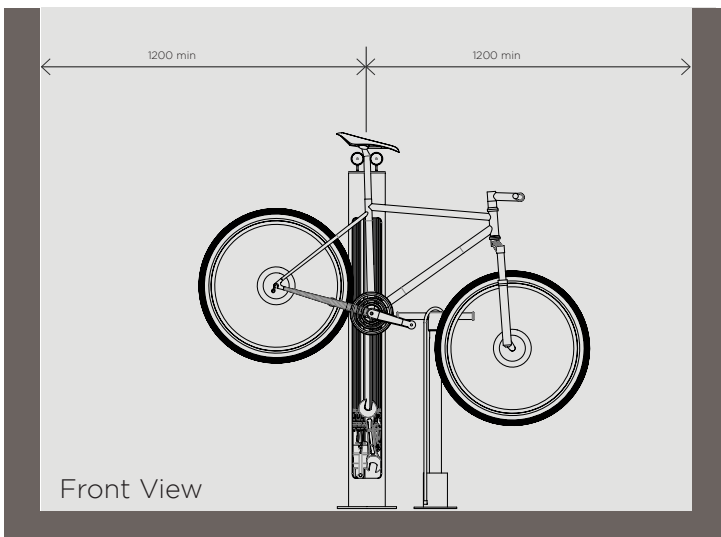


### BMSP SERIES LAYOUT GUIDE

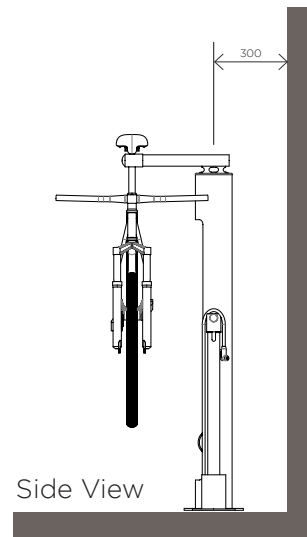
**BMSP Series bike maintenance stand and pump stand should be mounted with the spacings shown.**

For specific assembly and installation instructions relating to the Bike maintenance stand and pump, please refer to individual instruction information sheets.

Stands should not be installed, based on the information on this sheet alone.



Front View



Side View

Note: Must be spaced at minimum 1200mm from centre of the maintenance stand to any obstruction for bike accessibility.



**CORA**  
BIKERACK

PH 1800 249 878

sales@cora.com.au

www.cora.com.au