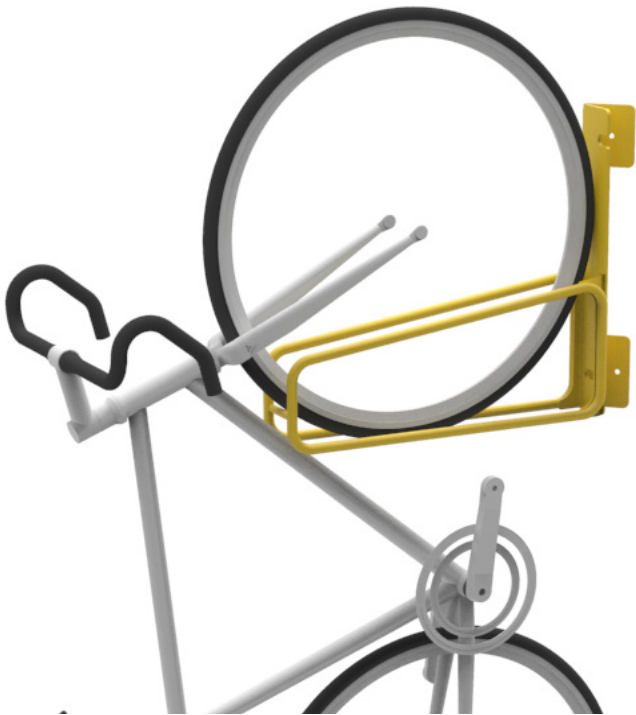


# CORA BIKE RACK

## PRODUCT SPECIFICATION SHEET



### E3VR SERIES

#### E3VR-45L VERTICAL WALL OR POST MOUNTED BIKE RACK

Cora's latest vertical bike rack design, the E3VR, is available in several innovative models: wheel hold, wheel hook (for fenders), 45° angled, and dynamic moving racks.

The E3VR-45L and 45R provide angled vertical parking to reduce the distance a bicycle extends from the wall or mounting post. The bike will enter this rack left and right of centre. The E3VR-45L and 45R can be mounted directly to existing walls or to the E3VRP Mounting Post.

#### Capacity

- 1 bike per rack

#### Construction

- Heavy duty high quality steel
- 16mm CHS x 1.2mm

#### Fixings

3 x M8 x 40mm pin head torx security screws with tool, washers and nylon wall plugs included

#### Finishes

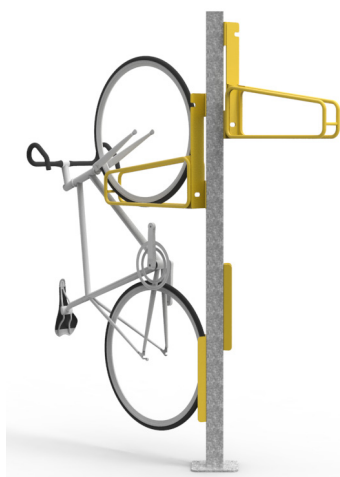
- In Stock - Yellow Powder Coat
- Option - Galvanised
- Option - 304 Stainless Steel
- Option - Colour Powder Coat (Cora standard colour range)

#### Assembly

- Supplied fully welded and assembled.. For pole mounted option, assembly to pole E3VR-P required

#### Compliance

- Rack is AS2890.3 (2015) compliant

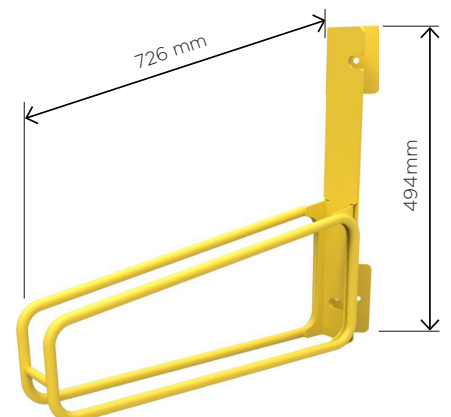


DOUBLE RACK 45L  
POLE MOUNTED



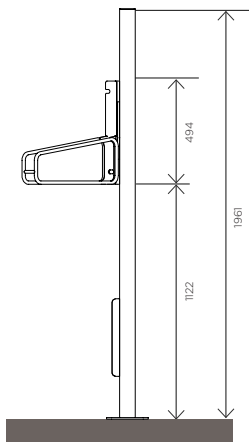
SINGLE RACK 45L  
POLE MOUNTED

E3VR45-L  
E3VR45-L Vertical  
Wall or Post Mounted  
Bike Rack



# CORA BIKE RACK

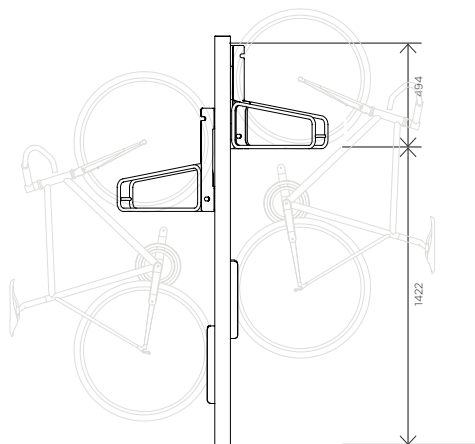
## PRODUCT SPECIFICATION SHEET



Side View  
Single Rack

**For single mounted racks**

If mounting only one rack, the rack should be fixed in lower position to minimise lifting for the cyclist.



Side View  
Double Rack

**For double mounted racks,**

Rack location on post should be alternated, on both sides of post

### E3VR45-L POLE MOUNT LAYOUT GUIDE

**To comply with AS2890.3 (2015) minimum 710mm spacing between posts centres and to edge of walls or other obstructions is required.**

**Reduced spacings are possible where compliance with AS2890.3 (2015) is not required.**

For specific assembly and installation instructions relating to E3VR Series racks, please refer to individual instruction information sheets.

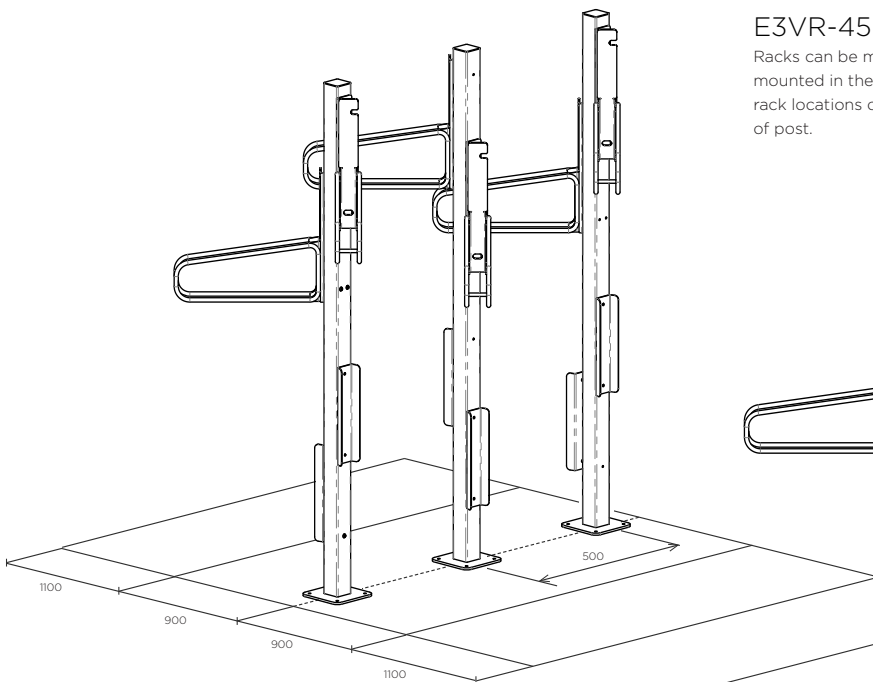
Racks should not be installed, based on the information on this sheet alone.

### E3VR45-L & E3VR45-R Combo

A combination of E3VR45L and E3VR45R can be combined in the same install however the two rack types can not be combined on the same side of the posts.

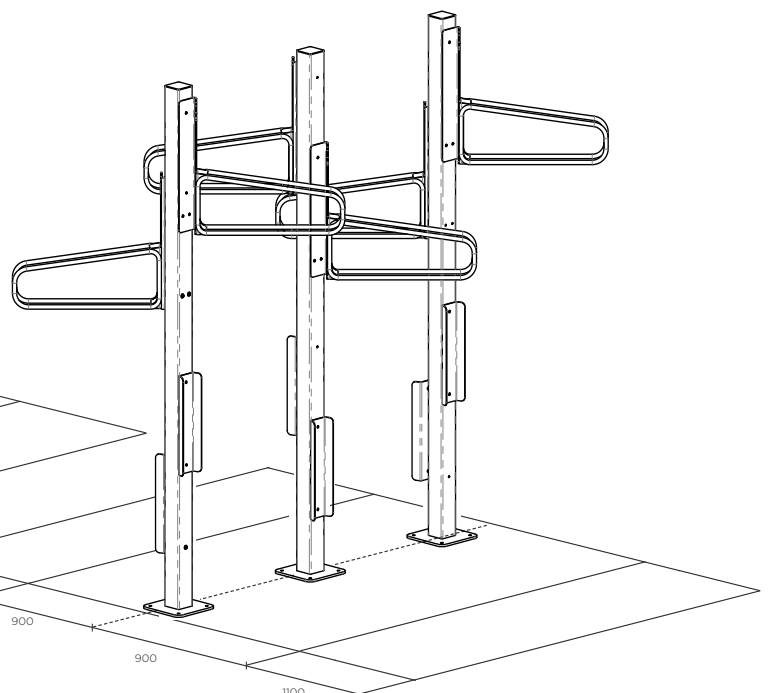
### E3VR-45 mounted either left or right

Racks can be mounted to both sides of post but have to be mounted in the same direction. For multiple post installations rack locations on post should be alternated, on both sides of post.



**Access dimensions**

45 degree angle mounts are useful for areas with limited space for access aisle, and reduce spacing requirements by 30%.



# CORA BIKE RACK

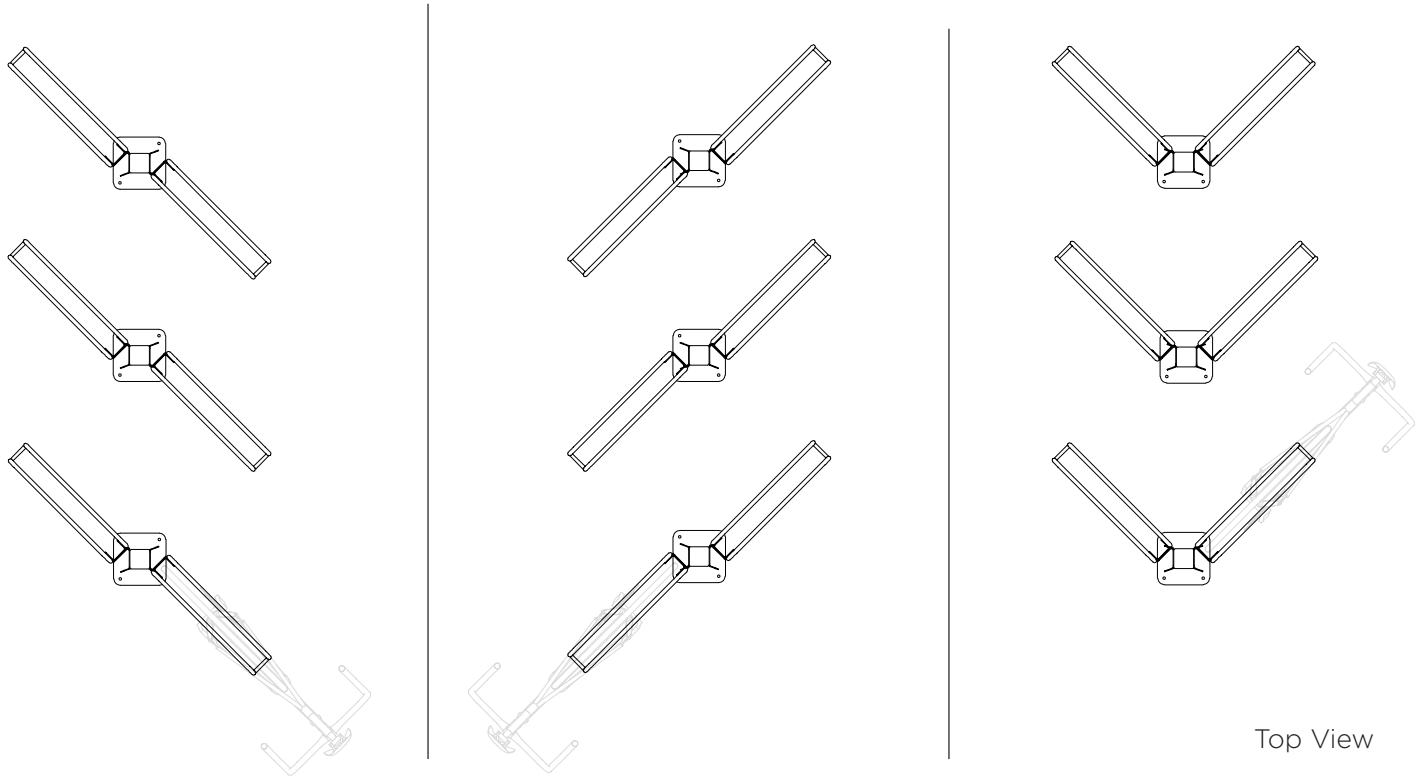
## PRODUCT SPECIFICATION SHEET

### Assembly & Post Mounting Instructions

#### Configuration mounting options for E3VR45-L & E3VR-R racks

Single side, or dual side pole mount options (single or multiple pole installs)

### E3VR45-L POLE MOUNT LAYOUT GUIDE



#### E3VR45-R Only

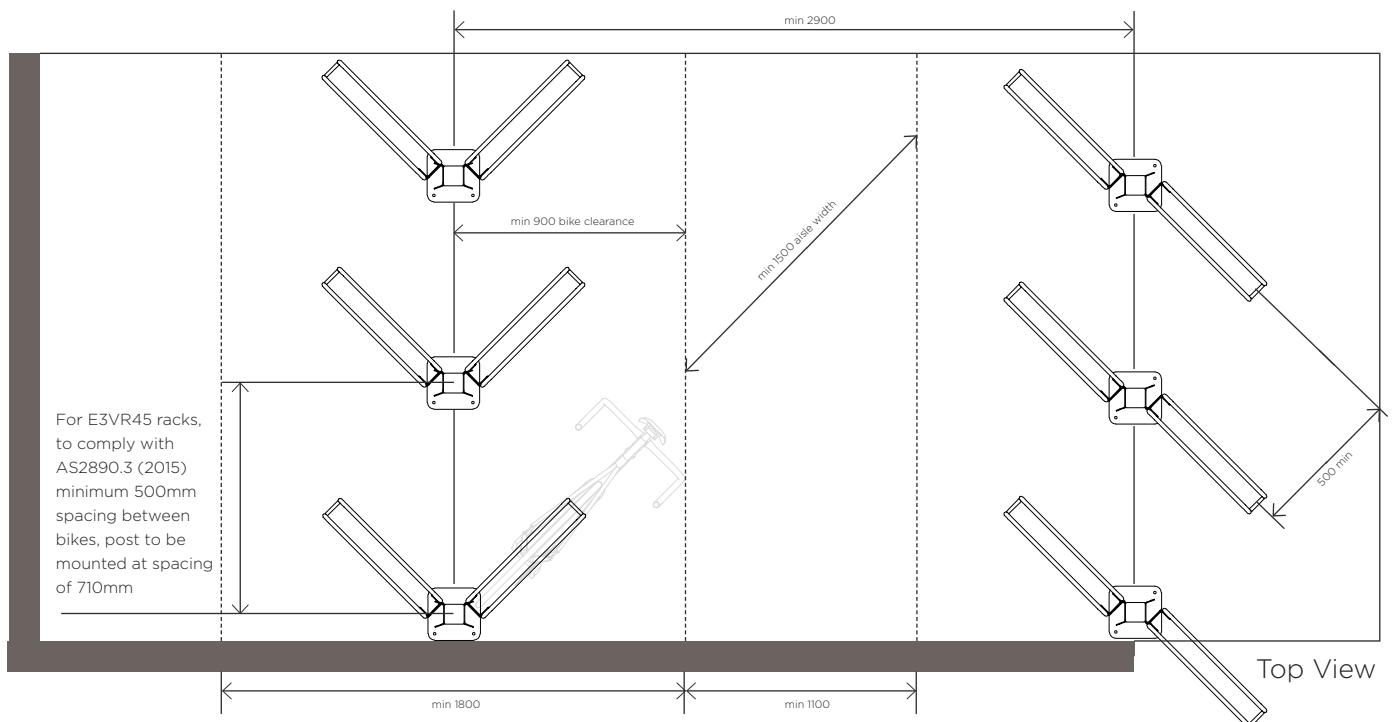
Shown mounted to both sides of E3VR-P

#### E3VR45-L Only

Shown mounted to both sides of E3VR-P

#### E3VR45-L & E3VR45-R Combo

Shown mounted to either side of E3VR-P

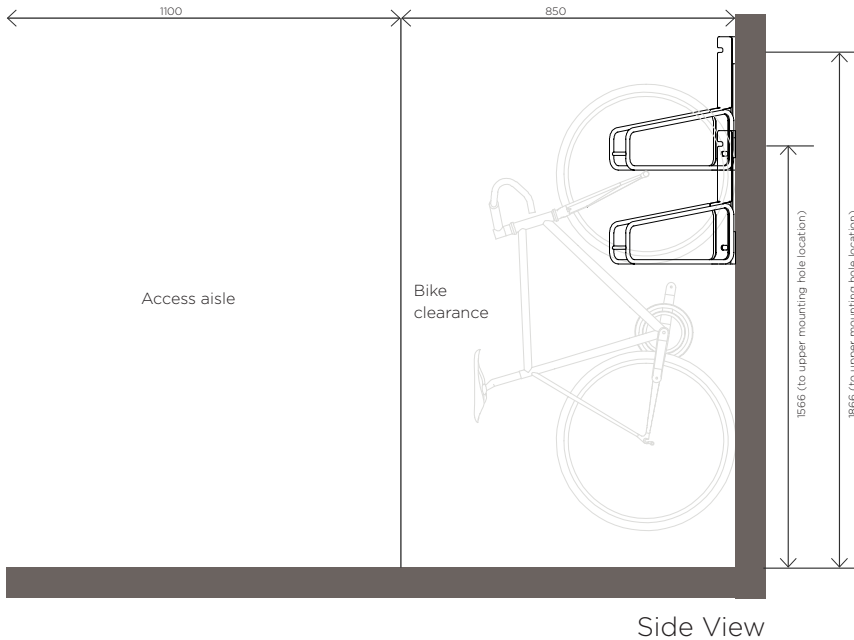


#### Configuration mounting options for E3VR45-L & E3VR-R racks

Double sided, double row layout

# CORA BIKE RACK

## PRODUCT SPECIFICATION SHEET



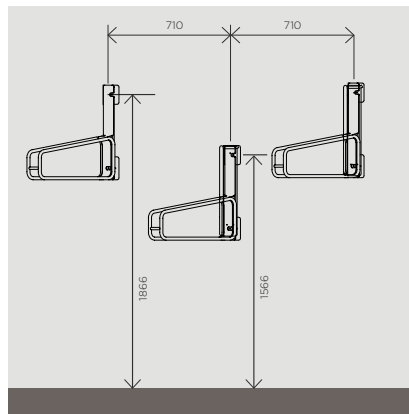
### E3VR WALL MOUNT LAYOUT GUIDE

To comply with AS2890.3 (2015), 710mm spacings are shown at alternating heights.

Reduced spacings are possible where compliance with AS2890.3 (2015) is not required.

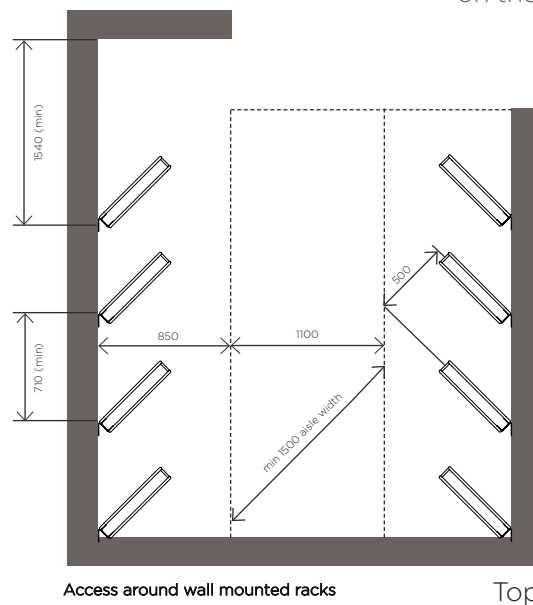
For specific assembly and installation instructions relating to E3VR Series racks, please refer to individual instruction information sheets.

Racks should not be installed, based on the information on this sheet alone.



Note: If all racks are to be mounted at the same height, racks must be spaced at 900mm centres.

\* Minimum ceiling height: Staggered - 2200  
Single level - 1900



**CORA**  
BIKERACK

PH 1800 249 878

[sales@cora.com.au](mailto:sales@cora.com.au)

[www.cora.com.au](http://www.cora.com.au)