

CORA BIKE RACK

PRODUCT SPECIFICATION SHEET

E3VR SERIES

E3VR VERTICAL WALL OR POST MOUNTED BIKE RACK

Cora's latest vertical bike rack design, the E3VR, is available in several innovative models: wheel hold, wheel hook (for fenders), 45° angled, and dynamic moving racks. The E3VR gently cradles the front wheel for safety of the bike and easy access parking.

The E3VR can be mounted directly to existing walls or to the E3VR-P mounting post.

Capacity

- 1 bike per rack

Construction

- Heavy duty high quality steel
- 16mm CHS x 1.2mm

Fixings

- 3 x M8 x 40mm pin head torx security screws with tool, washers and nylon wall plugs included

Finishes

- In Stock - Yellow Powder Coat
- Option - Galvanised
- Option - 304 Stainless Steel
- Option - Colour Powder Coat (Cora standard colour range)

Assembly

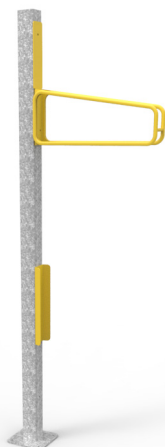
- Supplied fully welded and assembled. For pole mounted option, assembly to pole E3VR-P required

Compliance

- Rack is AS2890.3 (2015) compliant



SINGLE RACK
WALL MOUNTED



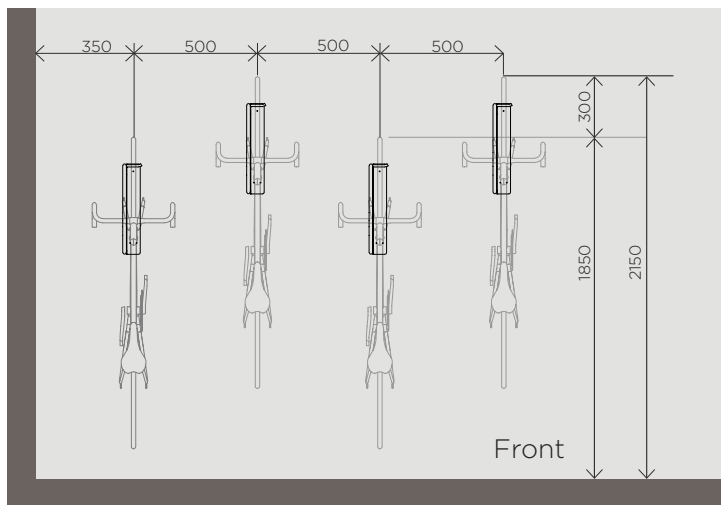
SINGLE RACK
POLE MOUNTED



DOUBLE RACK
POLE MOUNTED

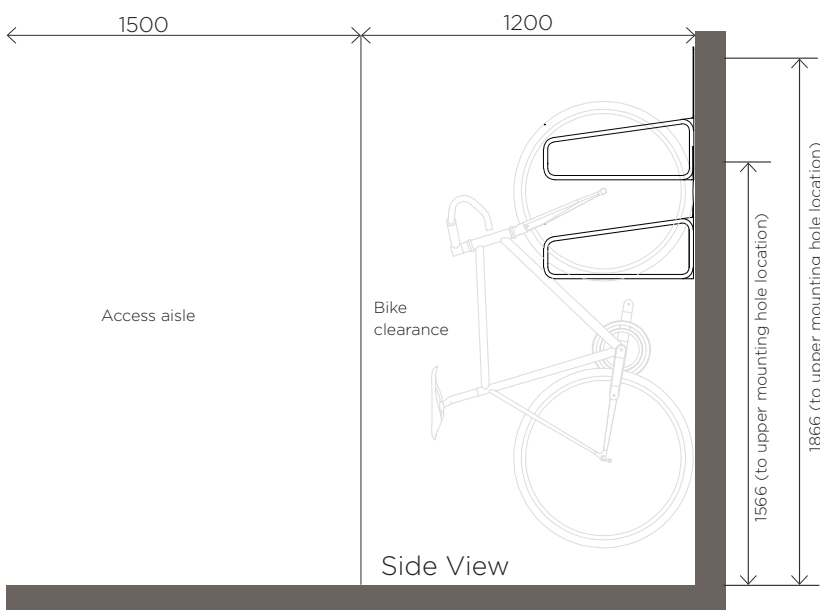
CORA BIKE RACK

PRODUCT SPECIFICATION SHEET



NOTE: If all racks are to be mounted at the same height, racks must be spaced at 700mm centres.

* Minimum ceiling height: Staggered rack heights- 2200
Single lower level rack heights - 1900



E3VR WALL MOUNT LAYOUT GUIDE

To comply with AS2890.3 (2015), 500mm spacings are shown at alternating heights.

Spacings of 400-500mm are possible where compliance with AS2890.3 (2015) is not required. 700mm is required where racks do not alternate in height.

For specific assembly and installation instructions, please refer to individual instruction information sheets.

Racks should not be installed, based on the information on this sheet alone.



CORA
BIKERACK

PH 1800 249 878

sales@cora.com.au

www.cora.com.au

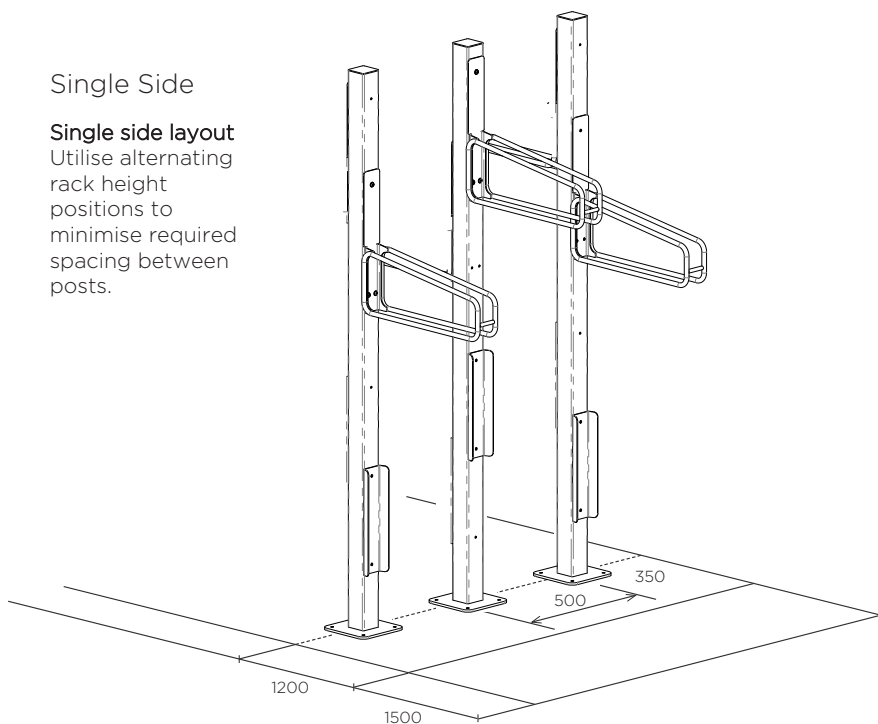
CORA BIKE RACK

PRODUCT SPECIFICATION SHEET

Single Side

Single side layout

Utilise alternating rack height positions to minimise required spacing between posts.



E3VR POLE MOUNT LAYOUT GUIDE

To comply with AS2890.3

(2015) minimum 500mm spacing between post centres and 350mm to walls or other obstructions is required. 400-500mm spacings are possible where compliance with AS2890.3 (2015) is not required. 700mm is required where racks do not alternate in height.

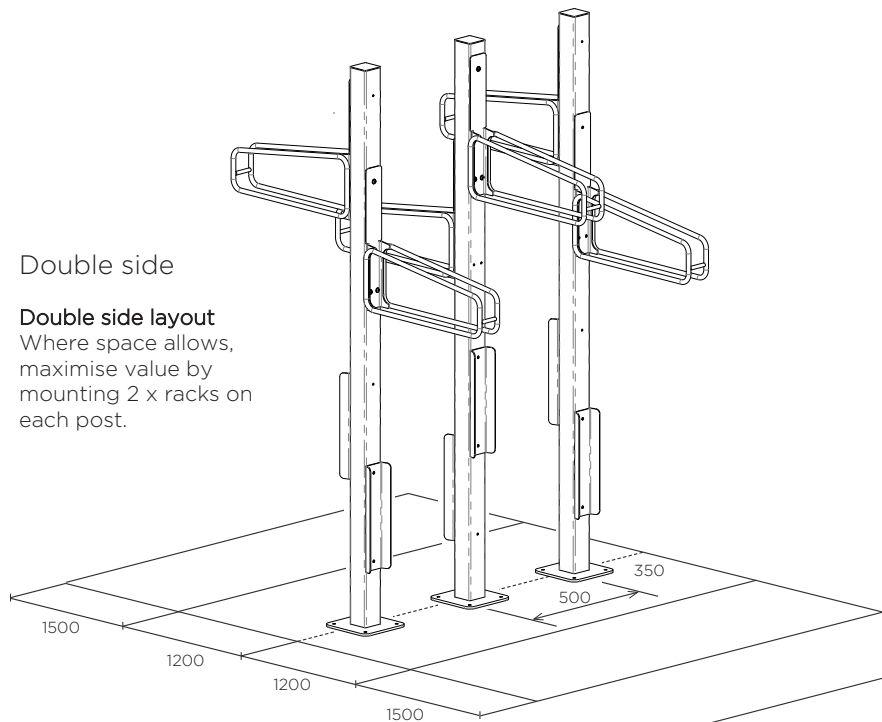
For specific assembly and installation instructions relating to E3VR Series racks, please refer to individual instruction information sheets.

Racks should not be installed, based on the information on this sheet alone.

Double side

Double side layout

Where space allows, maximise value by mounting 2 x racks on each post.



Access Aisle dimensions

Posts are to be mounted to allow for 1200mm bike footprints and 1500mm access aisles

'Nested' single side

Nested single side layout
Nested layout reduces the footprint of back to back bikes from 2400mm to 1700mm but increases the number of posts required.

