

# CORA BIKE RACK

## PRODUCT SPECIFICATION SHEET

### E3VR SERIES

#### E3VR-DYN VERTICAL WALL OR POST MOUNTED BIKE RACK

Cora's latest vertical bike rack design, the E3VR, is available in several innovative models: wheel hold, wheel hook (for fenders), 45° angled, and dynamic moving racks. The E3VR-DYN offers a dynamic pivot motion to allow reduced spacings of 400mm that is compliant with AS2890.3 (2015). The E3VR-DYN can be mounted directly to existing walls or to the E3VR-P Mounting Post.



#### Capacity

- 1 bike per rack

#### Construction

- Heavy duty high quality steel
- 16mm CHS x 1.2mm

#### Fixings

3 x M8 x 40mm pin head torx security screws with tool, washers and nylon wall plugs included

#### Finishes

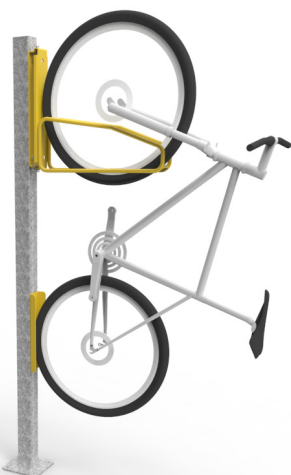
- In Stock - Yellow Powder Coat
- Option - Galvanised
- Option - 304 Stainless Steel
- Option - Colour Powder Coat (Cora standard colour range)

#### Assembly

- Supplied fully welded and assembled. For pole mounted option, assembly to pole E3VR-P required

#### Compliance

- Rack is AS2890.3 (2015) compliant

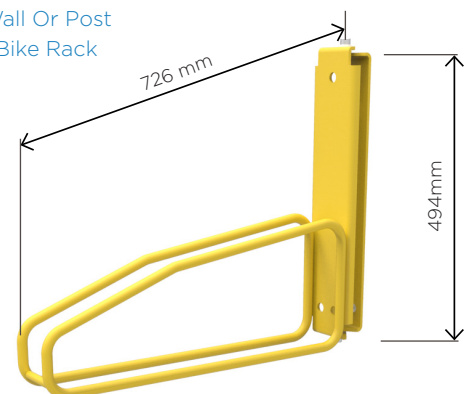


SINGLE RACK-DYN  
WALL MOUNTED



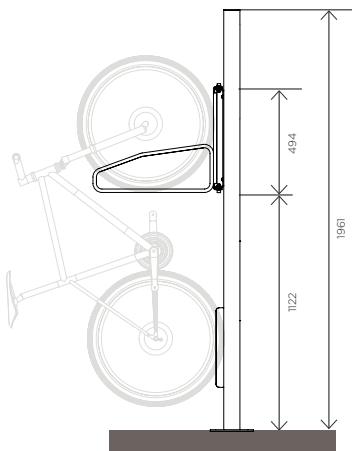
DOUBLE RACK-DYN  
POLE MOUNTED

E3VR-DYN  
Vertical Wall Or Post  
Mounted Bike Rack



# CORA BIKE RACK

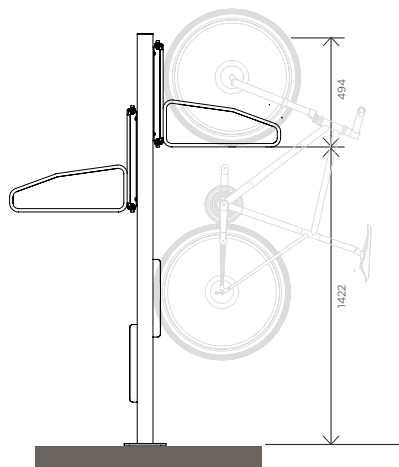
## PRODUCT SPECIFICATION SHEET



Side View  
Single Rack

**For single mounted racks**

If mounting only one rack, the rack should be fixed in lower position to minimise lifting for the cyclist.



Side View  
Double Rack

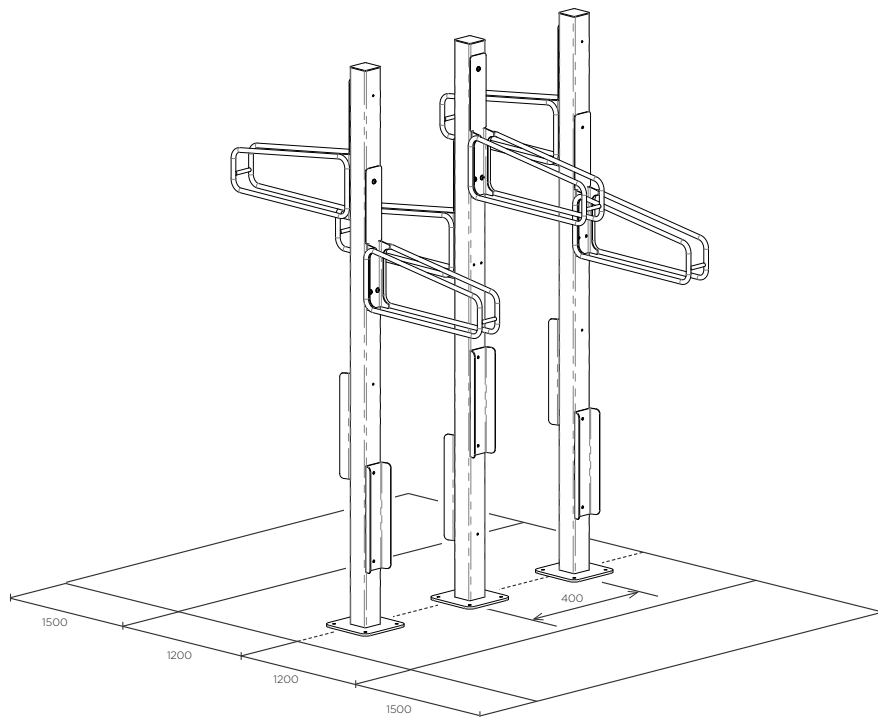
**For double mounted racks,**

Rack location on post should be alternated, on both sides of post

### Double sided alternating rack height

**Access dimensions for posts**

If multiple posts are mounted in a row. Racks must be alternated in location on pole.



**Access dimensions**

Posts are to be mounted with minimum clearance zones from either side a rack is mounted.

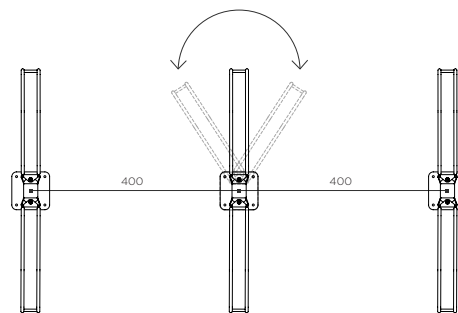
### E3VR DYN POLE MOUNT LAYOUT GUIDE

**To comply with AS2890.3**

**(2015) minimum 400mm spacing between posts centres and to edge of walls or other obstructions is required.**

For specific assembly and installation instructions relating to E3VR Series racks, please refer to individual instruction information sheets.

Racks should not be installed, based on the information on this sheet alone.

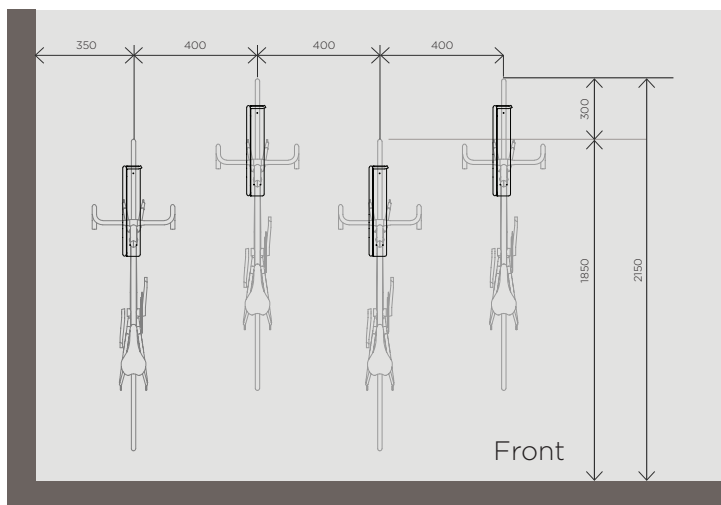


**Dynamic pivot motion**

The dynamic pivot motion allows a reduced 400mm spacing between racks.

# CORA BIKE RACK

## PRODUCT SPECIFICATION SHEET



Note: If all racks are to be mounted at the same height, racks must be spaced at 700mm centres.

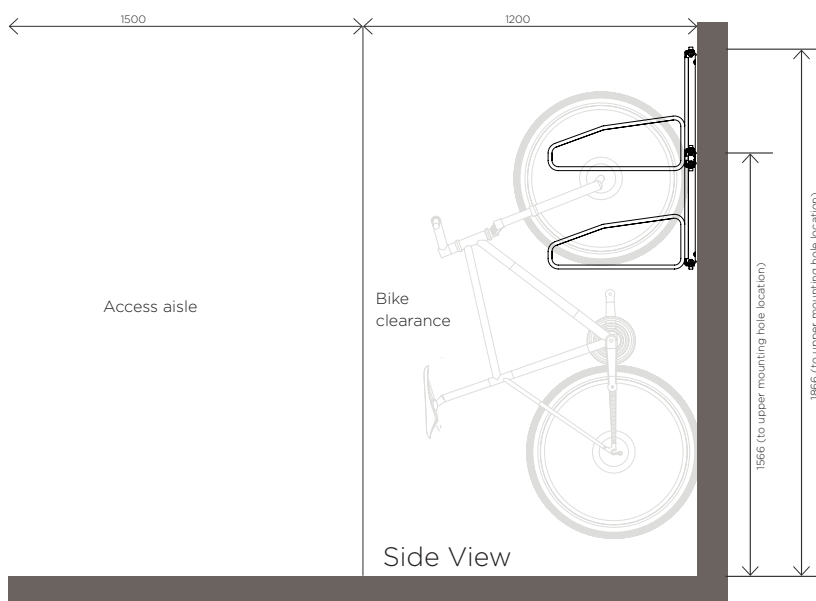
\* Minimum ceiling height: Staggered - 2200  
Single level - 1900

### E3VR DYN WALL MOUNT LAYOUT GUIDE

To comply with AS2890.3 (2015),  
400mm spacings are shown at  
alternating heights.

For specific assembly and installation instructions relating to E3VR Series racks, please refer to individual instruction information sheets.

Racks should not be installed, based on the information on this sheet alone.



**CORA**  
BIKERACK

PH 1800 249 878

sales@cora.com.au

www.cora.com.au