

# CORA BIKE RACK

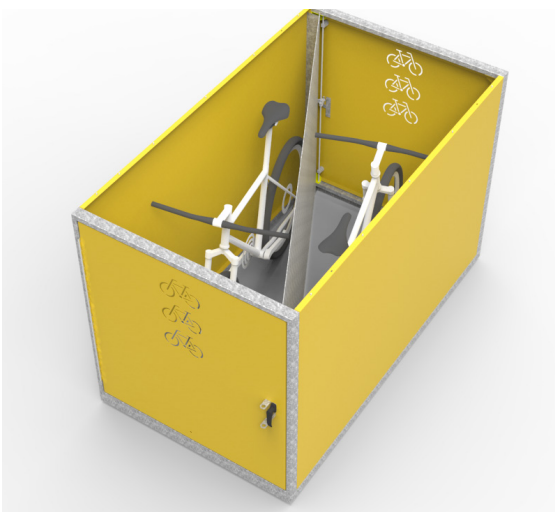
## PRODUCT SPECIFICATION SHEET



### CBL SERIES

#### CBL2 HEAVY DUTY BIKE LOCKER

Two doors and a secure divider provide Security Level A parking facilities for 2 bikes. This is the most cost-effective option per bike space. Designed for quick and easy assembly. Select from several locking options. Available in galvanised or colour powder coat. Heavy duty lockers use higher specification materials and are suitable for outdoor or indoor applications.



#### Capacity

- Each locker provides secure storage for 2 bicycles
- Can be mounted in a line for multiple bike installs

#### Construction

- Robust construction

#### Fixings

- Stainless steel anchor bolts fixed to ground
- Stainless steel screws for assembly

#### Finishes

- HDG steel frames
- Powder Coated 1.5mm galvanised steel panels (Cora standard colour range)
- Option - powder coating of complete locker (frames and panels)

#### Assembly

- Supplied flat packed and partially assembled for full assembly and mounting on site

#### Locking

- Secure 3 point door locking mechanism
- Key Option - supplied with individual keys for each locker door
- Latch Option - allows user supplied U lock or padlock
- Electronic Option - battery powered key pad

#### Compliance

- Locker is AS2890.3 (2015) compliant



# CORA BIKE RACK

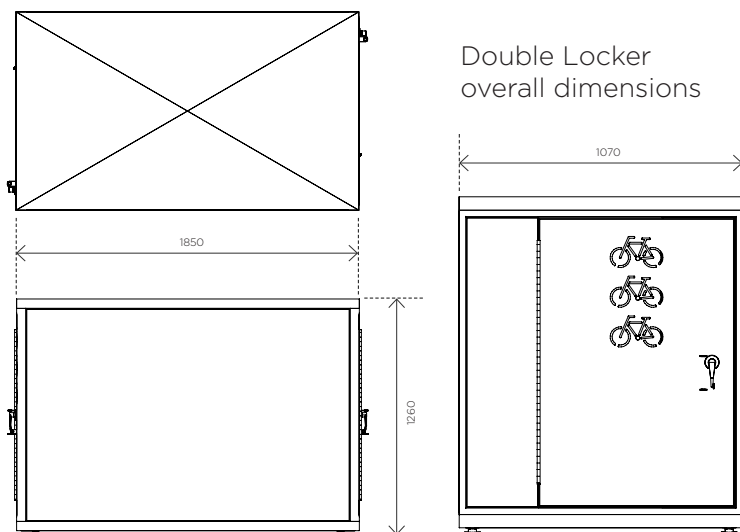
## PRODUCT SPECIFICATION SHEET

### CBL2 SERIES BIKE LOCKER LAYOUT GUIDE

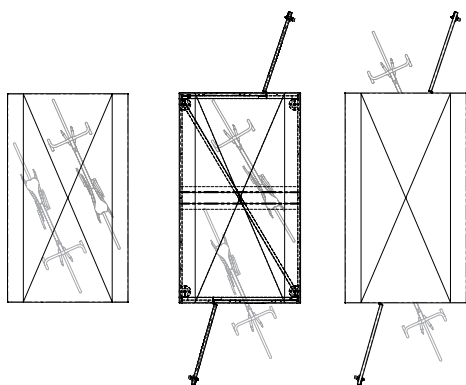
To comply with AS2890.3 (2015) minimum 2000mm aisle spacing between lockers or to wall or obstructions is required.

For specific assembly and installation instructions relating to CBL Series lockers, please refer to individual instruction information sheets.

Lockers should not be installed, based on the information on this sheet alone.



Double Locker overall dimensions

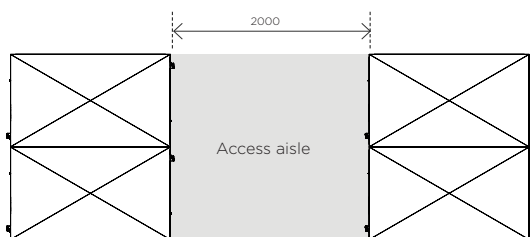
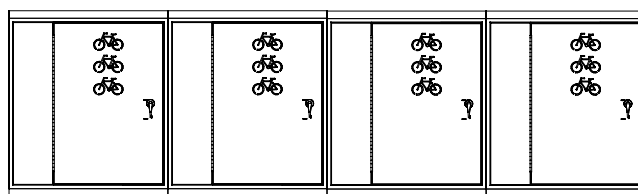


#### Bike access and storage

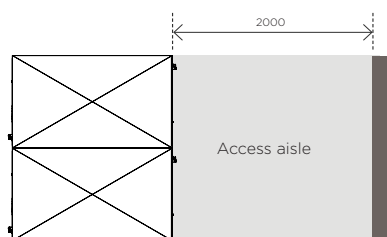
- Bicycles stored individually and separated by secure internal wall
- Independent access to each bicycle and locking of each door
- Both sides include internal hooks for helmet and bag hanging

#### Single or Multiple install of lockers

Lockers can be installed either as a single locker or next to each other in rows, in multiples as required



Minimum 2000mm aisle spacing between lockers



Minimum 2000mm aisle spacing between lockers and wall or obstructions



PH 1800 249 878

sales@cora.com.au

www.cora.com.au