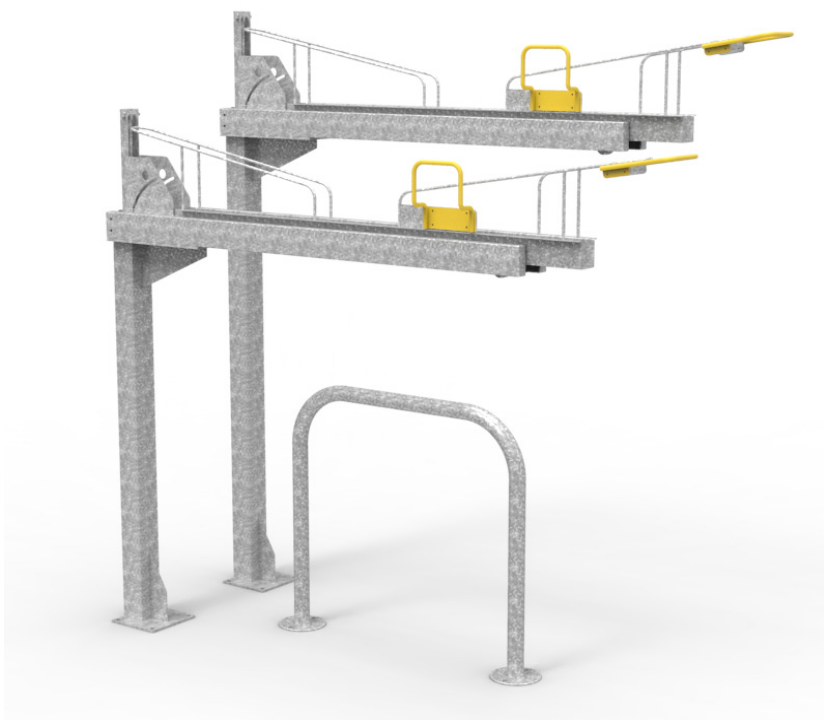


CORA BIKE RACK

PRODUCT SPECIFICATION SHEET



E3DT SERIES

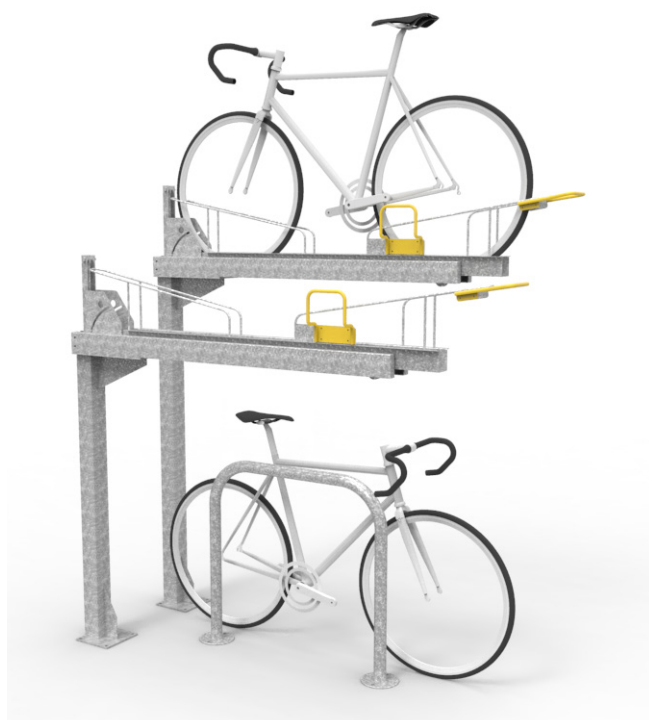
E3DT-CBR

DYNAMIC UPPER TIER

STATIC LOWER TIER

A Dynamic upper tier combined with a static lower tier. Upper tier includes gas assist lift for ease of use and is available in alternating heights.

Lower tier uses the CBR bike rail. CBR Series bike parking rails are designed to support the bike in a stable position and accommodate up to 2 bikes.



Fixings

- M10 anchor bolts with security nuts

Finishes

- CBR
 - In stock - galvanised
 - In stock - 316 stainless steel with electropolish
 - Option - 304 stainless steel
 - Option - colour powder coat (Cora standard colour range)
- E3ST-H and E3ST-L
 - Galvanised with powder coated accents on handles
 - Option - colour powder coat (Cora standard colour range)

Assembly

- Supplied partially assembled for assembly and mounting on site

Compliance

- Rack is AS2890.3 (2015) compliant

Capacity

- E3ST-H: 1 bike
- E3ST-L: 1 bike
- CBR1B: 2 bikes

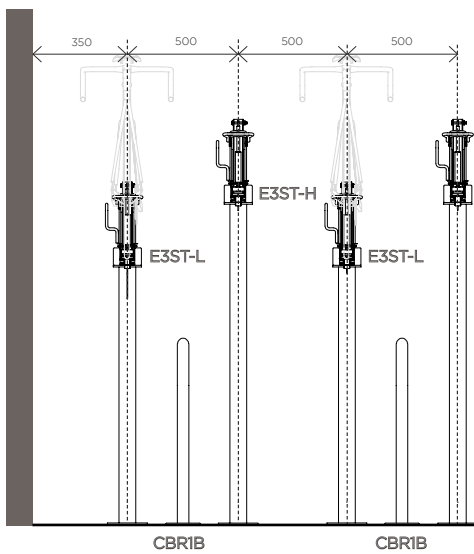
Construction

- Heavy duty high quality steel

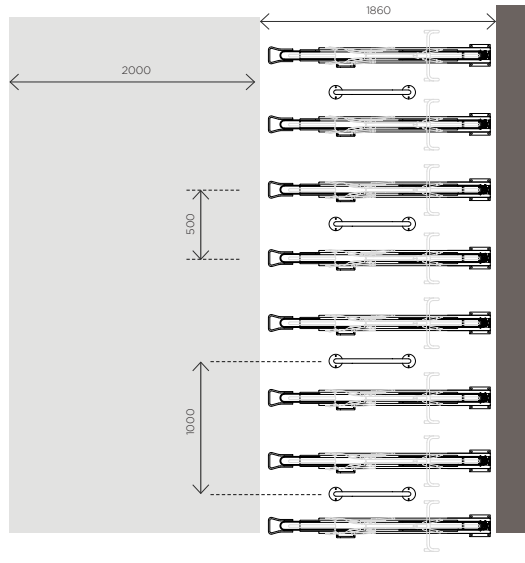
CORA BIKE RACK

PRODUCT SPECIFICATION SHEET

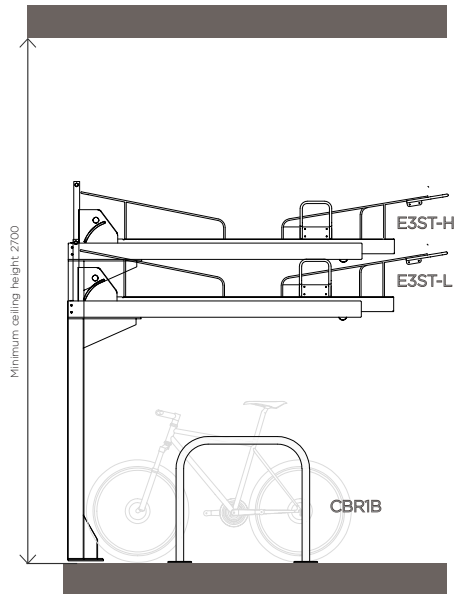
STAGGERED LAYOUT



Front view

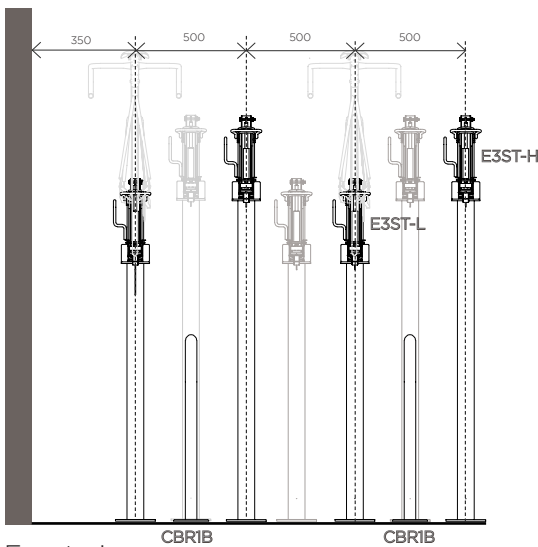


Top view

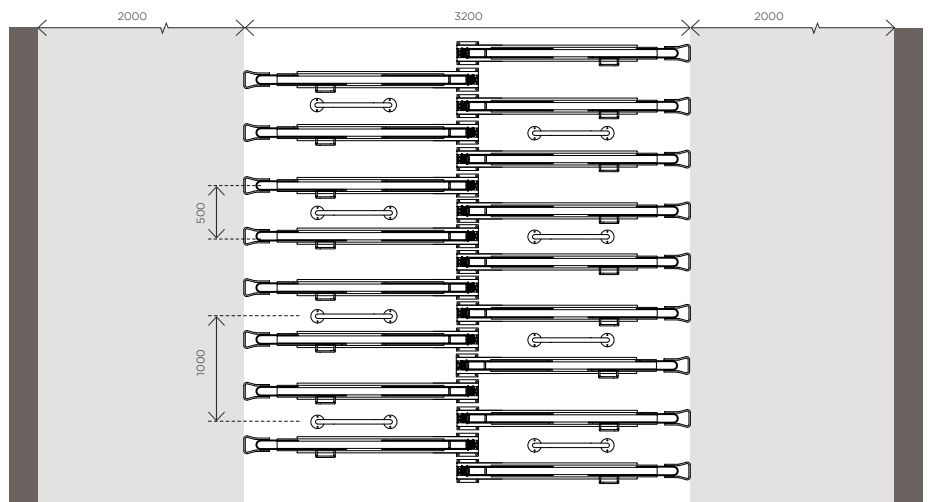


Side view

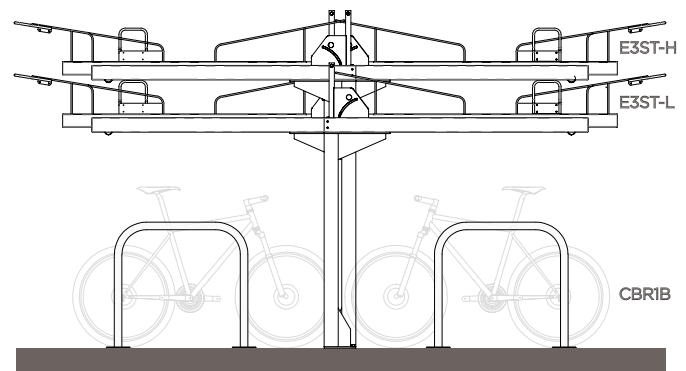
NESTED LAYOUT



Front view



Top view



Side view

E3DT-CBR GROUND MOUNT LAYOUT GUIDE

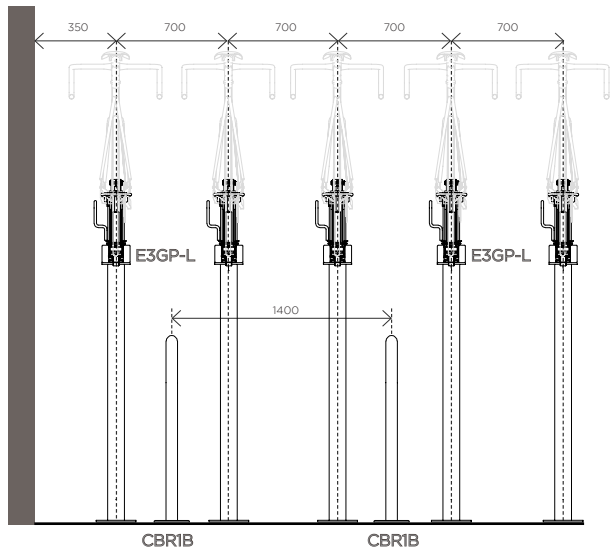
For specific assembly and installation instructions relating to E3DT-CBR series racks, please refer to individual instruction information sheets.

Racks should not be installed, based on the information on this sheet alone.

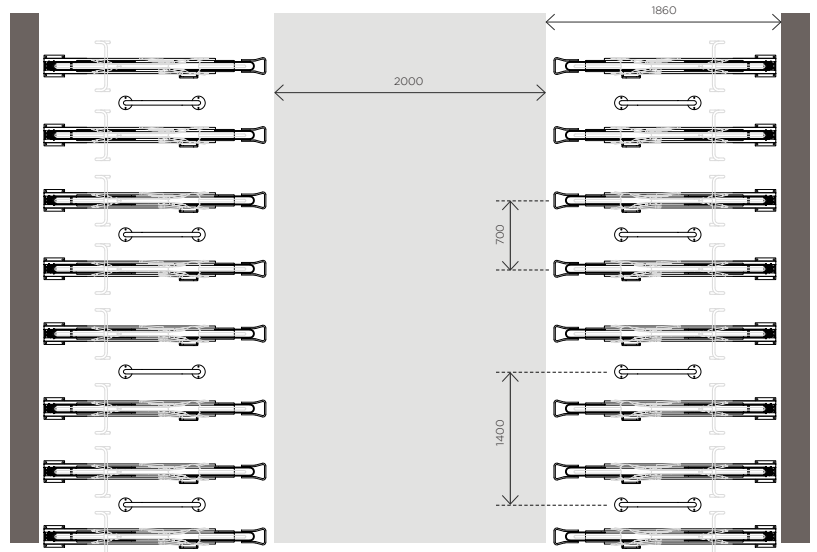
CORA BIKE RACK

PRODUCT SPECIFICATION SHEET

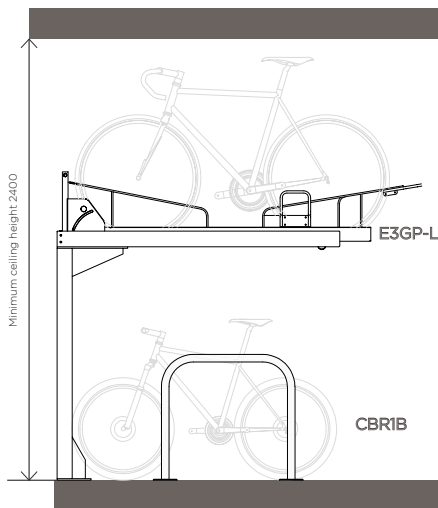
SINGLE LEVEL LAYOUT



Front view



Top view



Side view

E3DT-CBR GROUND MOUNT LAYOUT GUIDE

For specific assembly and installation instructions relating to E3DT-CBR series racks, please refer to individual instruction information sheets.

Racks should not be installed, based on the information on this sheet alone.



PH 1800 249 878

sales@cora.com.au

www.cora.com.au