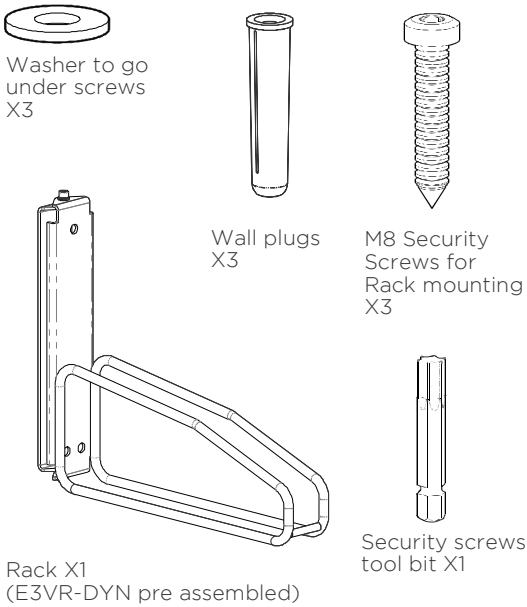
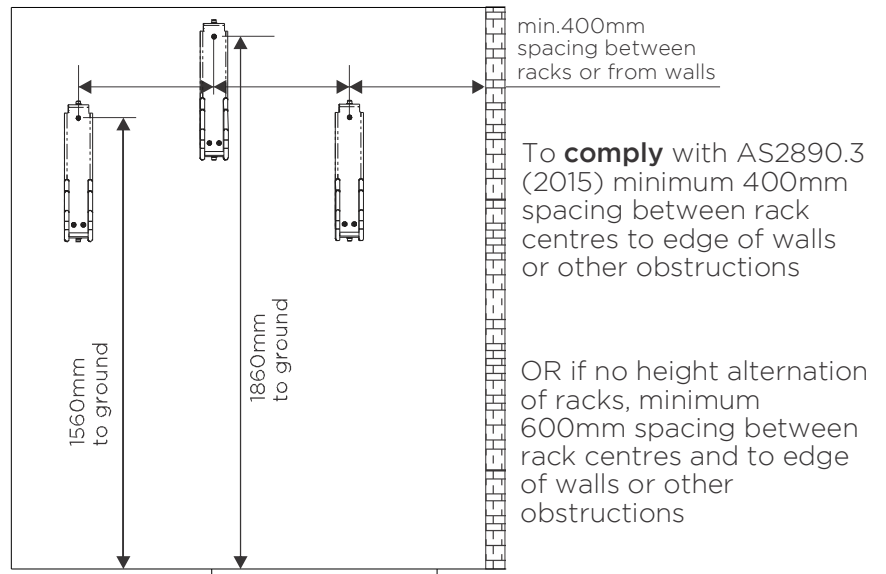


# Assembly & Wall Mounting Instructions

## Cora Bike Rack - E3VR-DYN



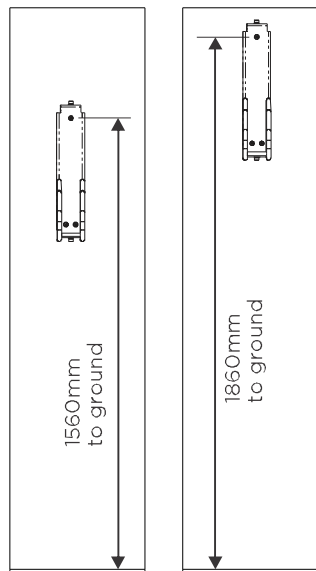
1. If mounting multiple racks, measure mounting distance between racks and other obstructions and height from ground



2. Mounting height of single or multiple adjacent racks E3VR-DYN

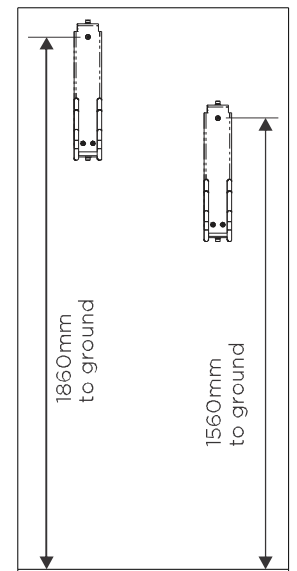
### For Single mounted rack

- If mounting only one rack, the rack should be fixed in lower position to minimise lifting for cyclist



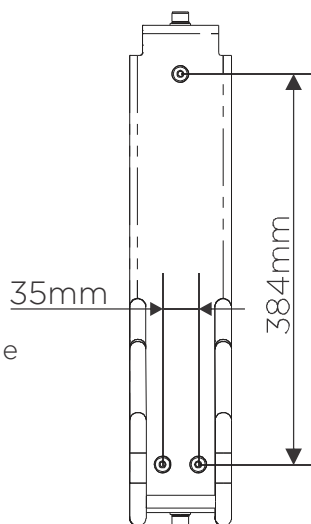
### For Multiple mounted racks

- If multiple racks are being mounted next to each other, Rack height must be alternated
- NOTE: If all racks are to be mounted at the same height, racks must be spaced at 600mm centres

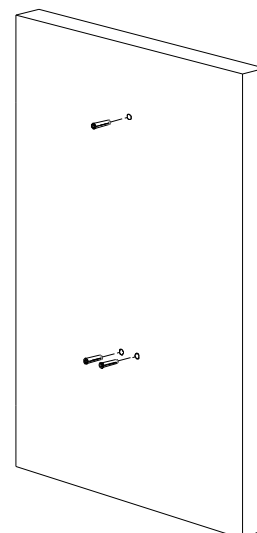


3. Drill mounting holes in wall

- Drill three (3) holes at correct hole centres. Use dimensions in image for hole location
- Drill holes 10mm diameter and min 50mm depth to accept wall plug for M8 screw



4. Insert wall plugs

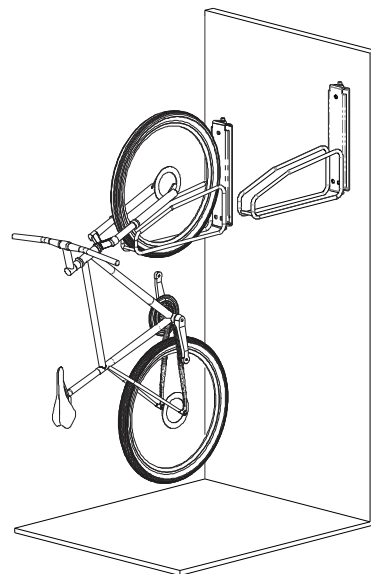
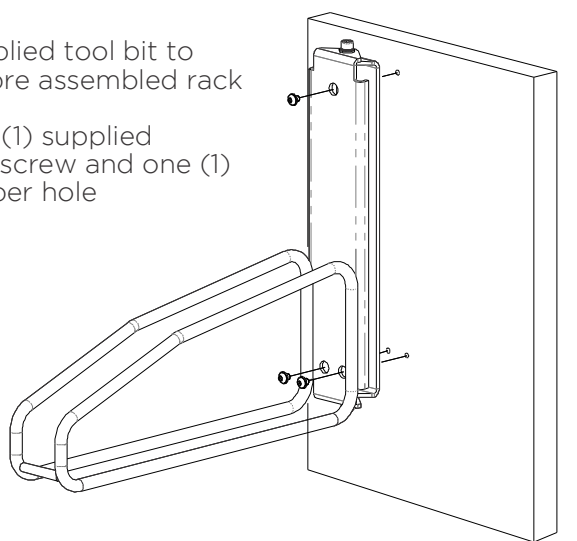


# Assembly & Wall Mounting Instructions

## Cora Bike Rack - E3VR-DYN

### 5. Fasten rack to wall

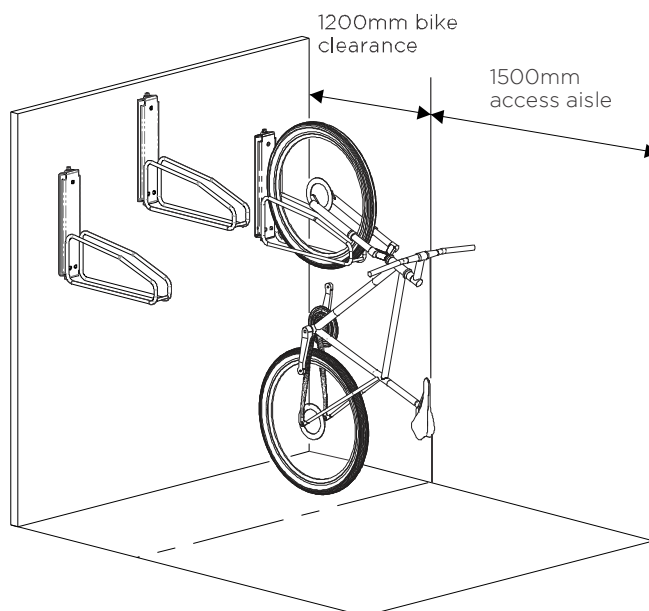
- Use supplied tool bit to screws pre assembled rack to wall.
- Use one (1) supplied security screw and one (1) washer per hole



### 6. Access and clearance around mounted racks

#### Access dimensions around racks

- Racks are to be mounted with minimum clearance zones from any wall a rack is mounted to
- Min. 1200mm from wall for bike clearance & minimum 1500mm additional for access aisle



Australia's Bike Parking Experts

PH 1800 249 878  
sales@cora.com.au  
www.cora.com.au

