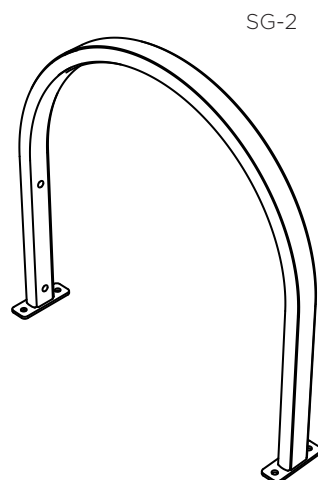
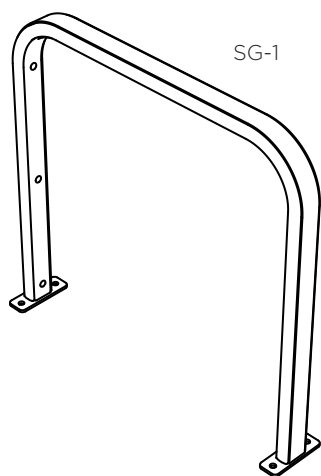


# Bike Rack Installation Instructions

## Cora Bike Rack - SG (Scratch Guard™) Rack Series

---

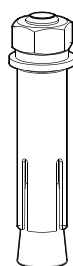
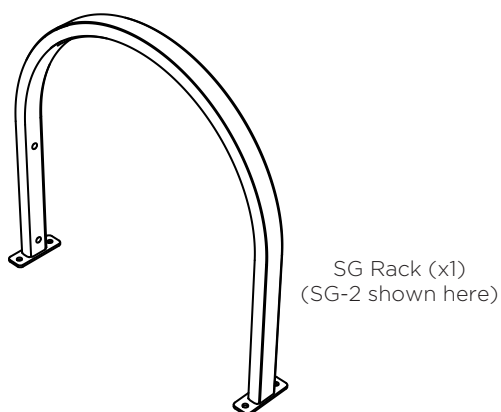
This instruction sheet is to be used for SG (Scratch Guard™) Series Racks including **SG-1, SG-2**.



Cora - Bike Rack SG Series (All models shown)

---

Components for SG Rack used in assembly



### 1. Site selection

When selecting a site for your new bicycle rack, the most important advice is;

**Do not try to hide it, as it will not be used!**

Suitable locations include;

- Adjacent to entrance doors and in line of sight of a window
- Near high pedestrian traffic
- A flat location at the same surface level which cyclists use for access
- Covered areas

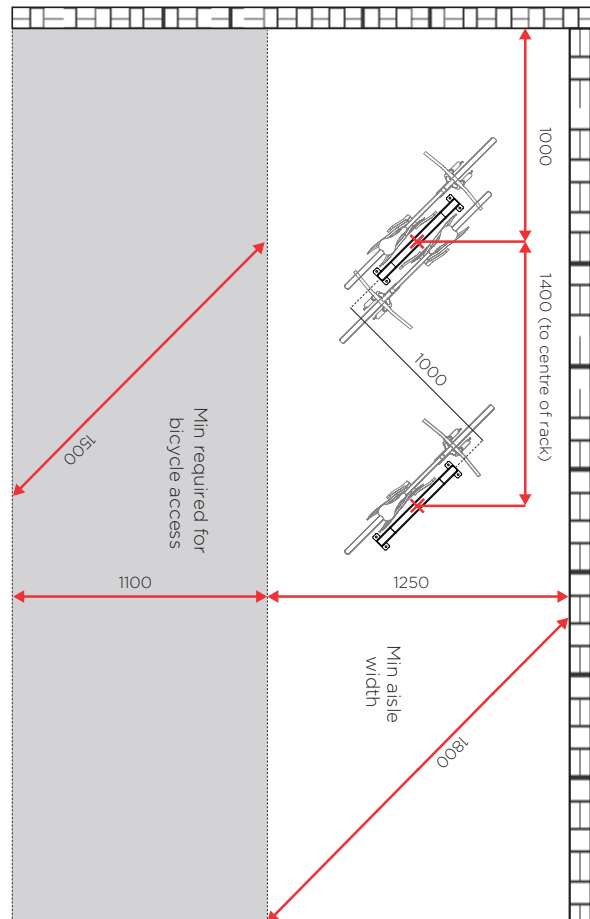
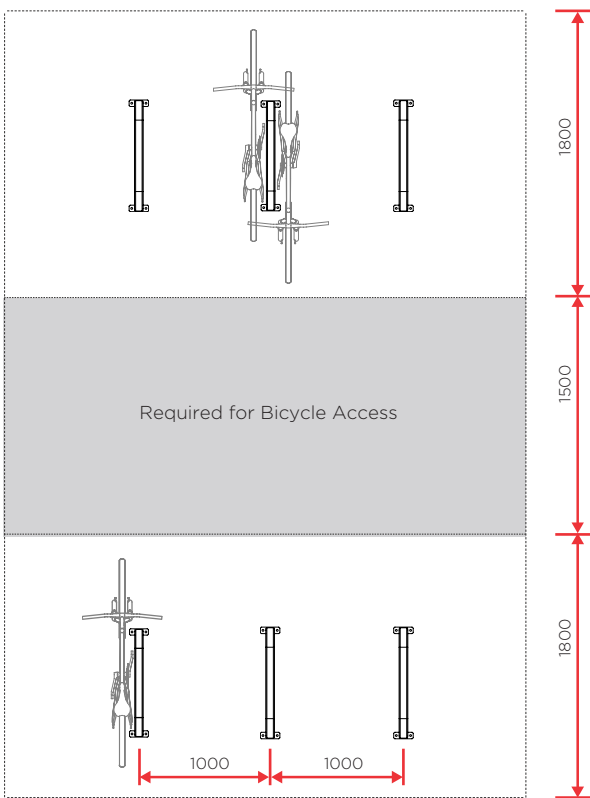
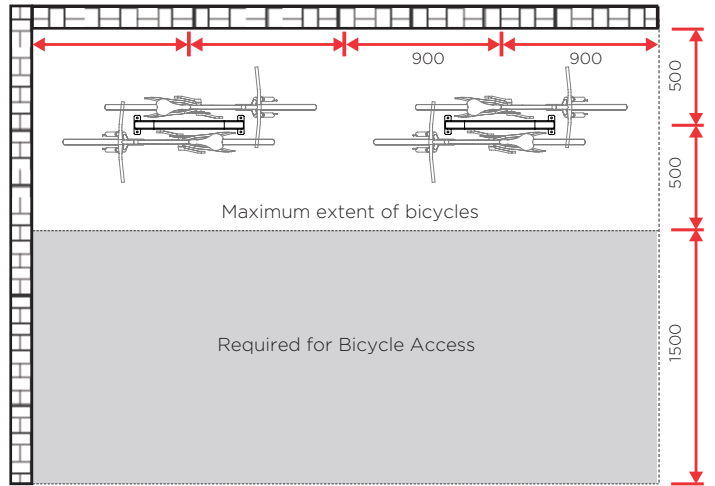
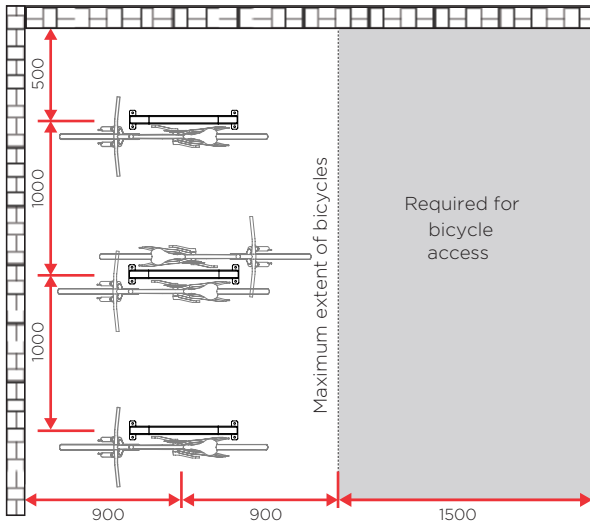
Other things to remember;

- Where a rack is being installed at an existing location, the rack should be placed where bicycles are currently parked
- When using a garage location, it is recommended to use a parking bay that is nearest to an entrance door.

# Bike Rack Installation Instructions

## Cora Bike Rack - SG (Scratch Guard™) Rack Series

### 2. Access and clearance



\*See product specification sheets for alternate mounting options. Can be found at [cora.com.au](http://cora.com.au)

### Access dimensions around racks

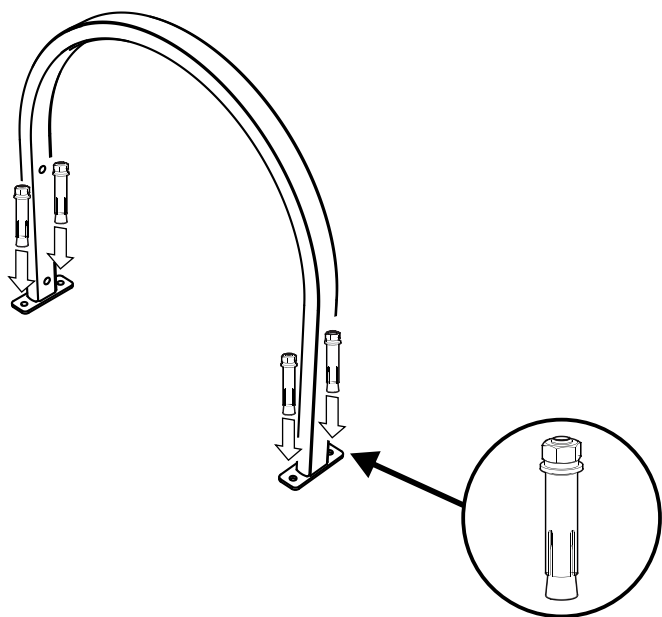
- Before mounting rack, find a suitable place that will allow for minimum spacing dimensions
- Ensure minimum spacing from walls, other racks or obstructions to allow for minimum access
- In multiple rack install, racks may be mounted in an in-line cluster, parallel cluster, or angle cluster. See product specification sheets for alternate mounting options. Can be found at [cora.com.au](http://cora.com.au)

# Bike Rack Installation Instructions

## Cora Bike Rack - SG (Scratch Guard™) Rack Series

---

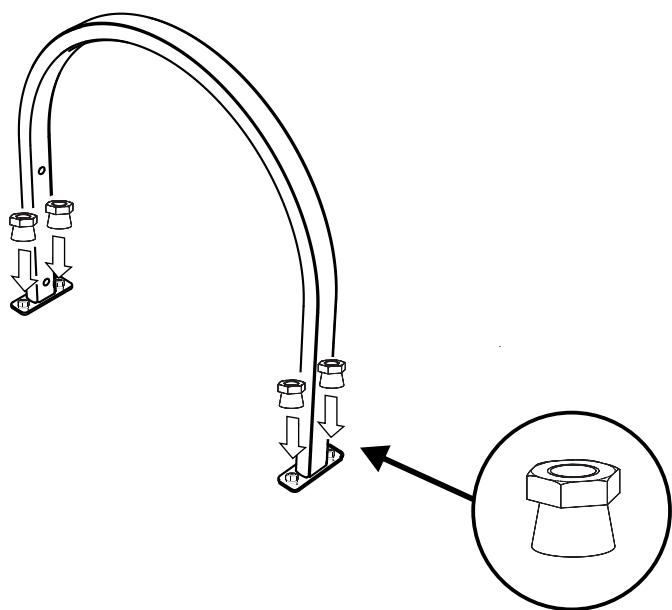
### 3. SG series fixings - concrete surfaces



- Use the anchor bolts included
- Place rack in the desired location, ensuring correct clearance on all sides
- Mark all 4 fixing points with a suitable marker.
- Remove rail to side - do not drill through base as this could damage the masonry bit.
- Carefully drill holes using a 8mm masonry drill bit to a depth of 75mm, maintaining correct positioning.  
**Do not drill over plumbing and/or electrical conduits, or through waterproof membranes that may be located just below surface level.**
- Repeat using a 12mm masonry bit, again to a minimum depth of 75mm. Clear holes of dust and debris.
- Place the SG bicycle parking rail over holes and check correct alignment.
- Use the included 4 anchor bolts. Loosen the hex nuts to the end of the anchor bolts.
- Place the anchor bolts through the base plate and hammer into the drilled holes until the washers are flush with the base plate of the rail. Tighten hex nuts firmly.

---

### 4. Adding the security nuts



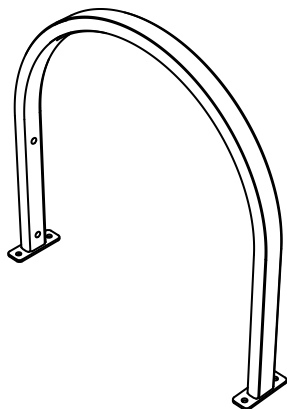
- To use the included security shear head nuts, carefully remove the tightened standard nuts, leaving the flat washers in place
- Screw on the new security nuts with the wide round base at the bottom
- Tighten the security nut firmly, and keep tightening until the top half of the nut snaps off
- Remove the top half of the Security Nut and discard. The lower half remains in place to provide an effective tamper resistant fixing

# Bike Rack Installation Instructions

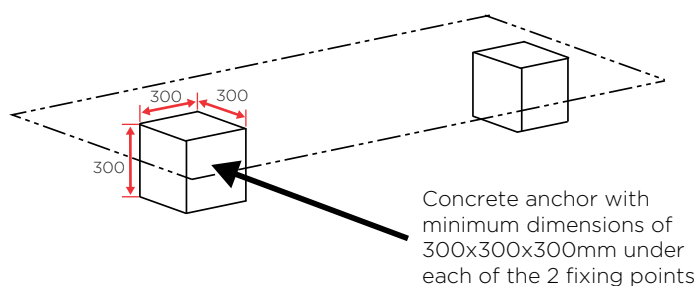
## Cora Bike Rack - SG (Scratch Guard™) Rack Series

---

### 5. Fixing to other surfaces

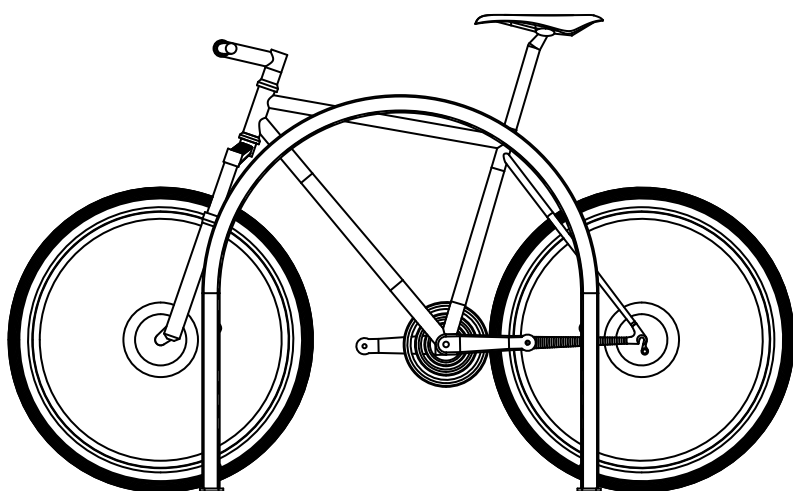


- You must create a concrete surface or anchor surface to securely fix the rack in place to prevent theft
- Cora recommends placing a concrete anchor with minimum dimensions of 300x300x300mm under each of the 2 fixing points. These anchors can be pre-cast or made on site with quick set concrete
- Where the top of the concrete anchor is flush with surface level, the rack can be fixed following steps 1 to 4



---

### 6. Installation complete



Installation of the Cora SG rack is now complete



**CORA**  
BIKERACK

PH 1800 249 878

sales@cora.com.au

www.cora.com.au