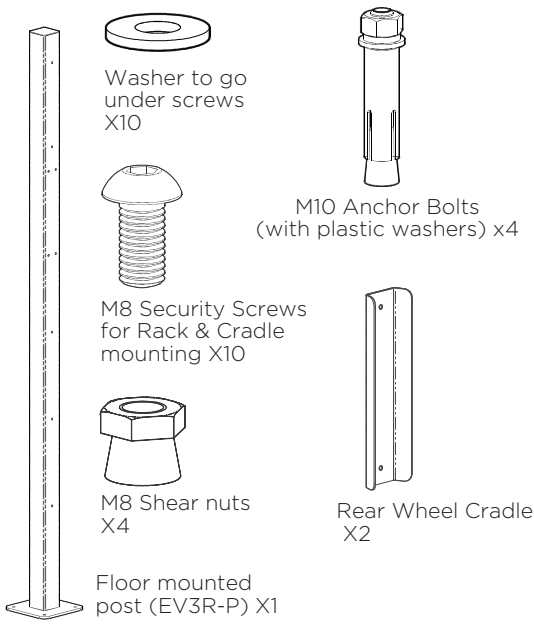
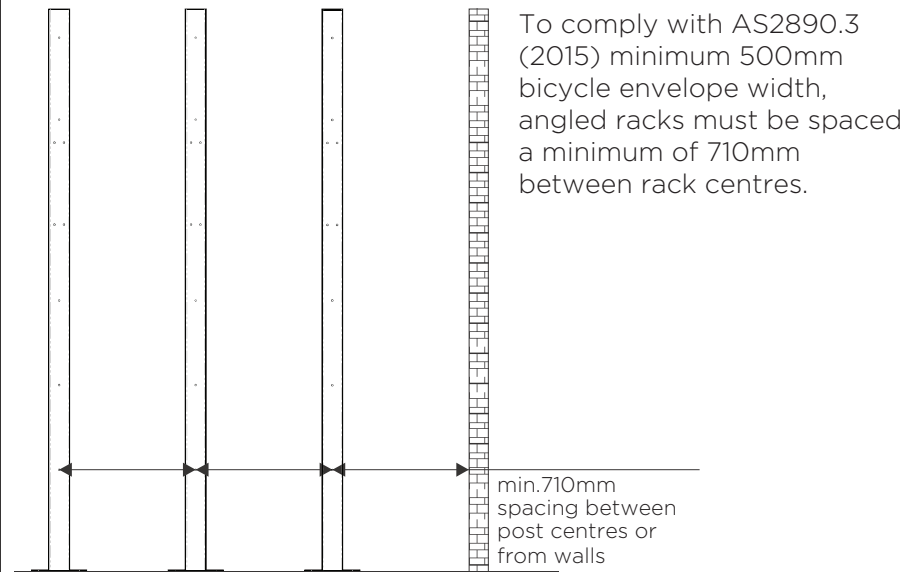


Bike Rack Installation Instructions

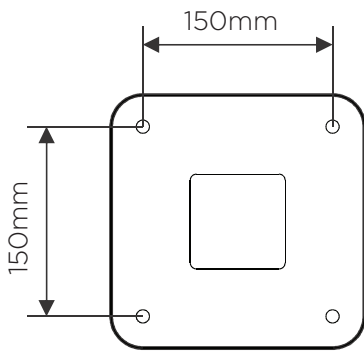
Cora Bike Rack - E3VR-P (for mounting E3VR-45 Racks)



1. If mounting multiple posts, measure mounting distance between posts and other obstructions



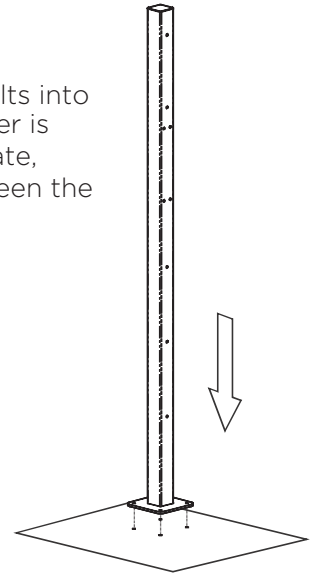
2. Drill holes in floor for location of anchor bolts



- Use dimensions above for anchor bolt drill hole locations
- Drill or core hole 10mm diameter and 75mm min. depth

3. Fix post to floor

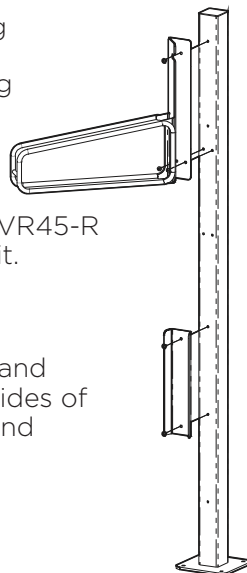
- Locate post in position
- Insert four (x4) anchor bolts into holes. Ensure plastic washer is firmly against the base plate, and metal washer is between the plastic washer and nut.
- Tighten anchor bolts with standard supplied nut



4. E3VR45-L/ E3VR45-R Post mounting

- There are upper and lower mounting positions on each post.
- Use the post mounting fixings included with the E3VR-P post
- Do not use the wall mount fixings included with each E3VR45-L or E3VR45-R rack, keep the security screw tool bit.

- NOTE: The E3VR-P includes fixings and rear wheel cradles for use on both sides of post. You may only require fixings and rear wheel tray for single sided use.

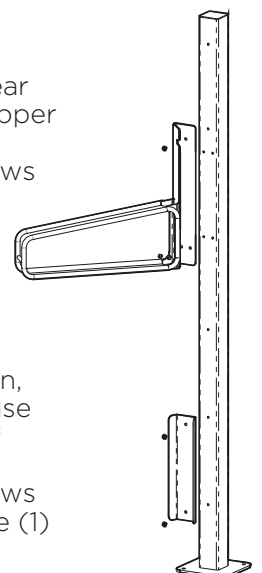


Rack in top position

- If rack is in top location, rear wheel cradle should use upper two holes in base of post
- Use supplied security screws with one (1) screw and one (1) washer per hole

Rack in lower position

- If rack is in bottom location, rear wheel cradle should use lower two holes in base of post
- Use supplied security screws with one (1) screw and one (1) washer per hole

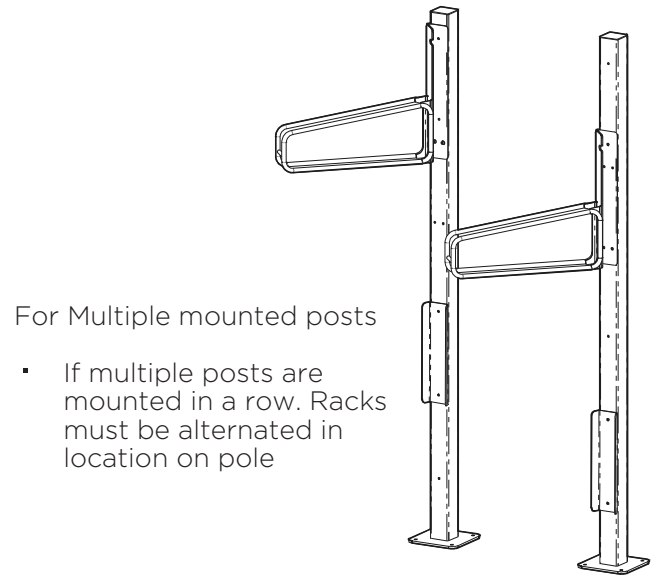
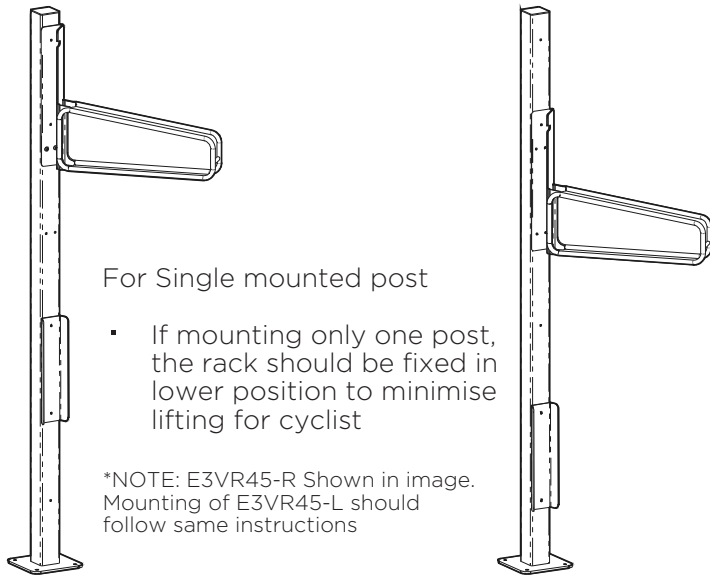


*NOTE: E3VR45-L Shown in image. Mounting of E3VR45-R should follow same instructions

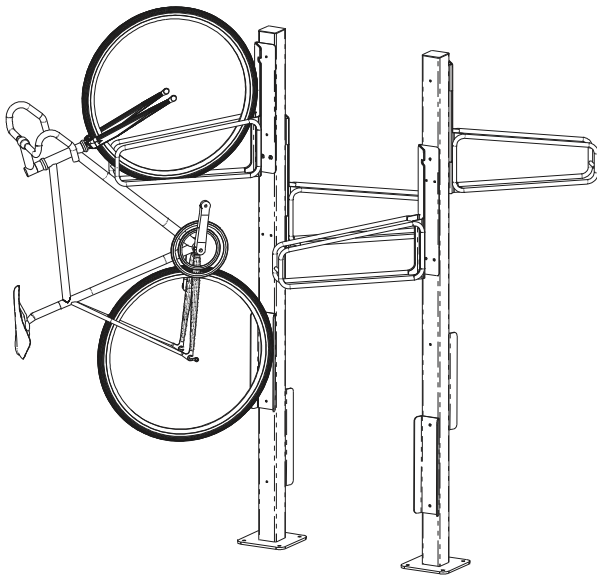
Bike Rack Installation Instructions

Cora Bike Rack - E3VR-P (for mounting E3VR-45 Racks)

5. Rack positions on post, for single or multiple post



6. Dual sided mounting of racks to post

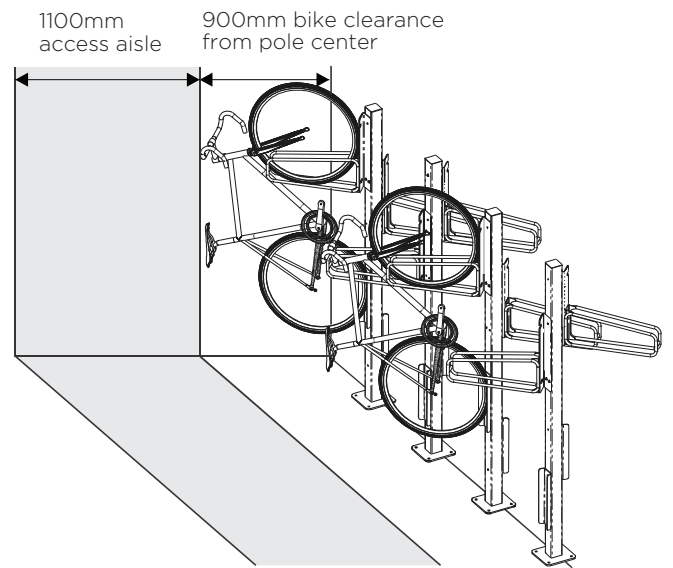


Dual sided mounting of racks to post

- Racks can be mounted to both sides of post
- For multiple post installations, rack locations on post should be alternated, on both sides of post

*NOTE: E3VR45-L shown in image. Mounting of E3VR45-R should follow same instructions

7. Access and clearance around mounted racks



Access dimensions around posts and racks

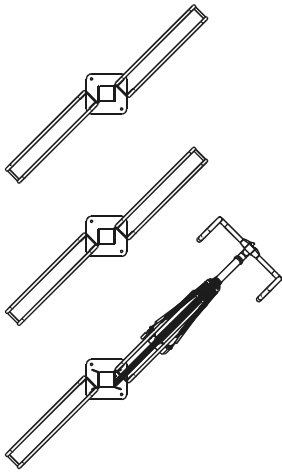
- Posts are to be mounted with minimum clearance zones from any side a rack is mounted.
- Min. 900mm from post center for bike clearance, min. 1100mm additional for access aisle.

Bike Rack Installation Instructions

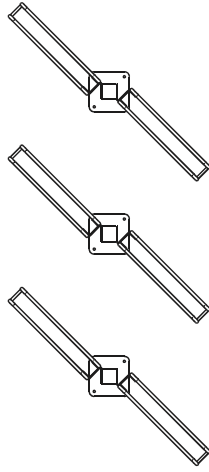
Cora Bike Rack - E3VR-P (for mounting E3VR-45 Racks)

Configuration mounting options for E3VR45 -L & E3VR45 -R racks

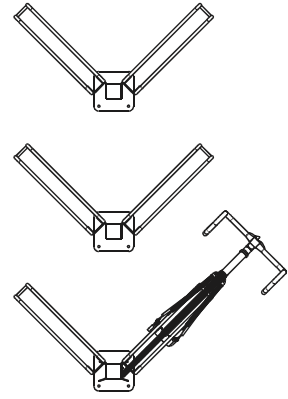
Single side, or dual side pole mount options (single or multiple pole installs)



E3VR45-R Only shown mounted to both sides of E3VR-P

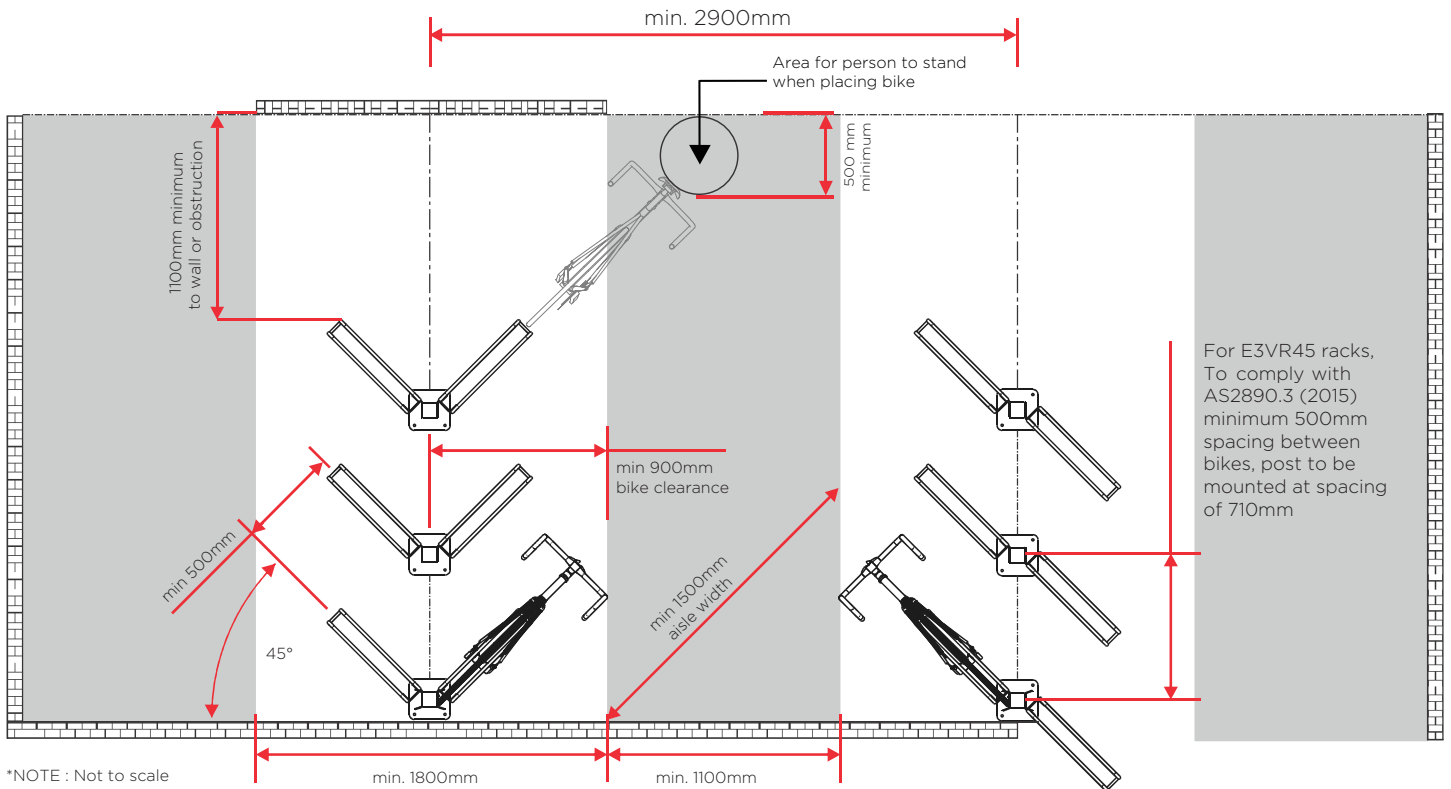


E3VR45-L Only shown mounted to both sides of E3VR-P



E3VR45-L & E3VR45-R Combo shown mounted to either side of E3VR-P

Double sided, double row layout showing access and clearance



PH 1800 249 878

sales@cora.com.au

www.cora.com.au