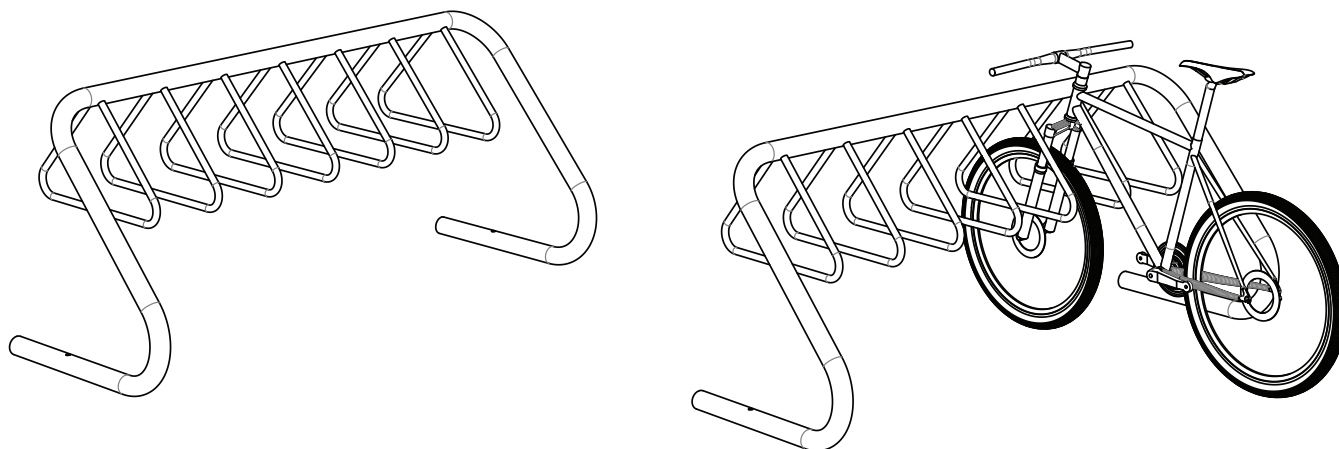


# Bike Rack Installation Instructions

## Cora Bike Rack - EXPO Rack Series (Expo Classic Series)

---

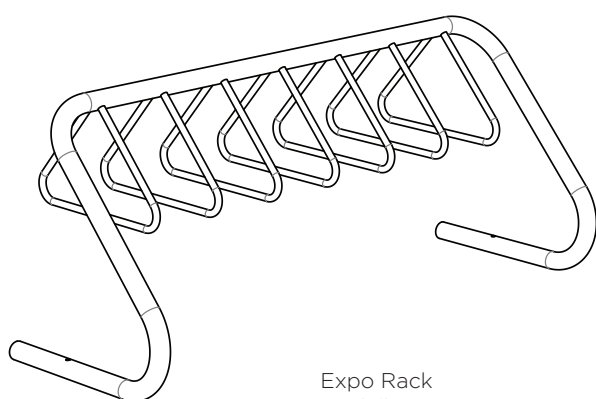
This instruction sheet is to be used for EXPO Classic Series racks including **EXPO 2704, 3606, 4506, and 7510**.



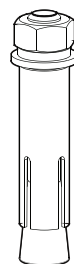
Cora - Expo Bike Rack Classic Series (Expo 7510 shown)

---

Components for Expo Rack used in assembly



Expo Rack  
(x1)



M12 x 120mm anchor  
bolts with tamper  
resistant fasteners (X2)



Security shear nuts  
(X2)

---

### 1. Site selection

When selecting a site for your new bicycle rack, the most important advice is - **do not try to hide it, as it will not be used!** Suitable locations include;

- Adjacent to entrance doors and in line of sight of a window
- Near high pedestrian traffic
- A flat location at the same surface level which cyclists use for access
- Covered areas

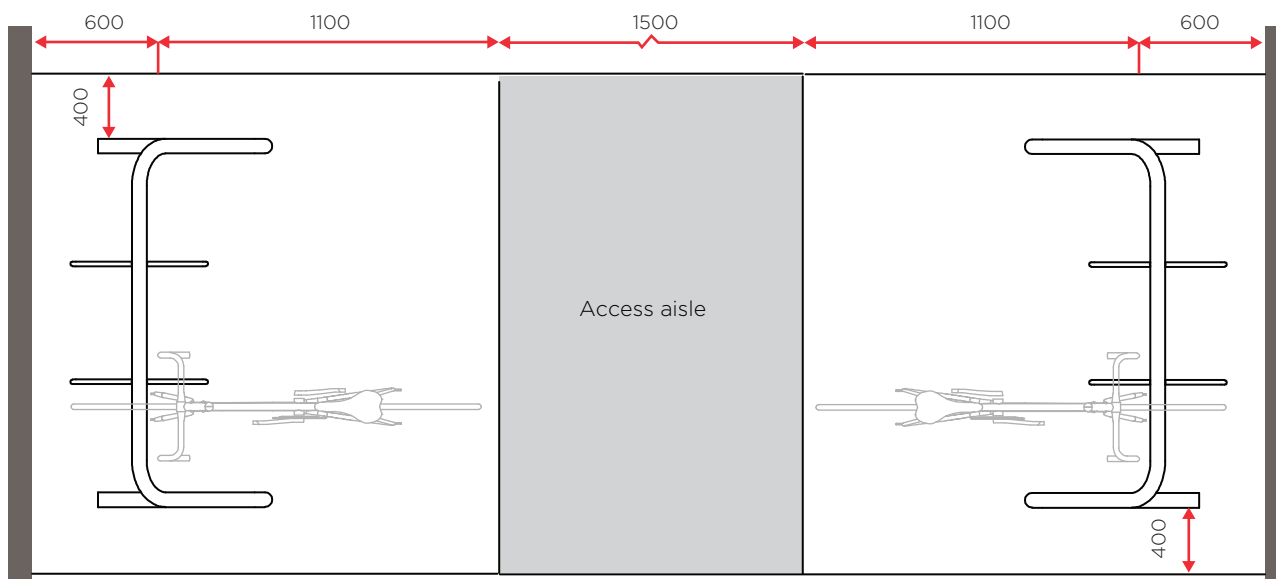
Other things to remember;

- Where a rack is being installed at an existing location, the rack should be placed where bicycles are currently parked
- When using a garage location, it is recommended to use a parking bay that is adjacent to an end wall nearest to an entrance door.
- The Expo Series bike rack can be positioned to allow single or double sided access. Where space permits, try to allow double sided access as it increases the rack's maximum capacity.

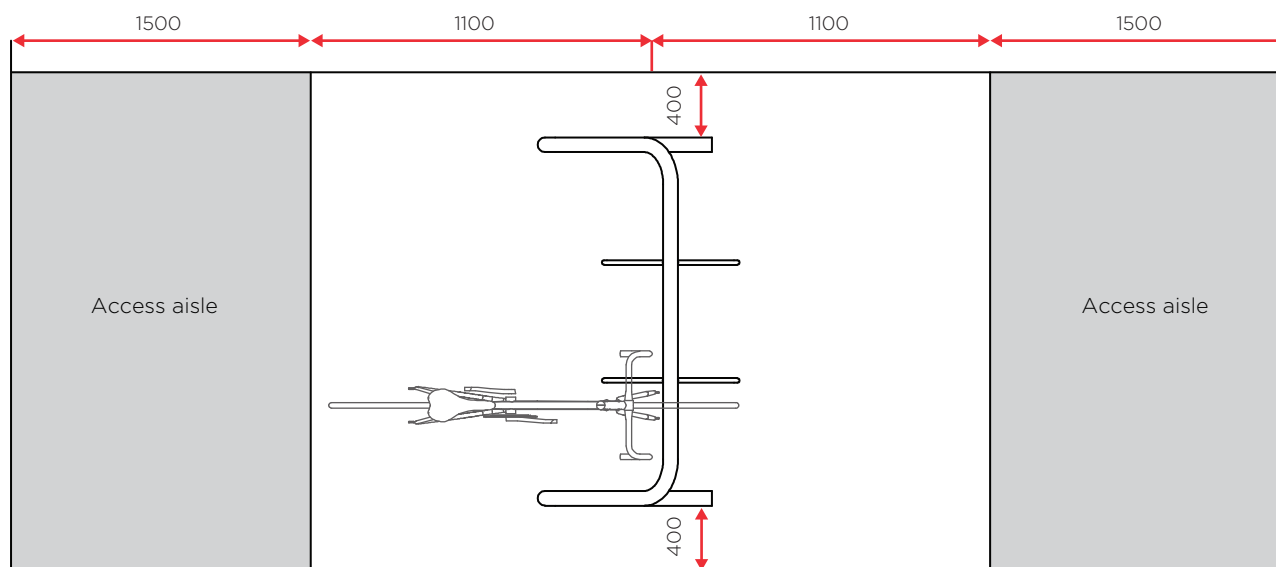
# Bike Rack Installation Instructions

## Cora Bike Rack - EXPO Rack Series (Expo Classic Series)

### 2. Access and clearance



Single side access



Double side access

\*See product specification sheets for alternate mounting options. Can be found at [cora.com.au](http://cora.com.au)

### Access dimensions around racks

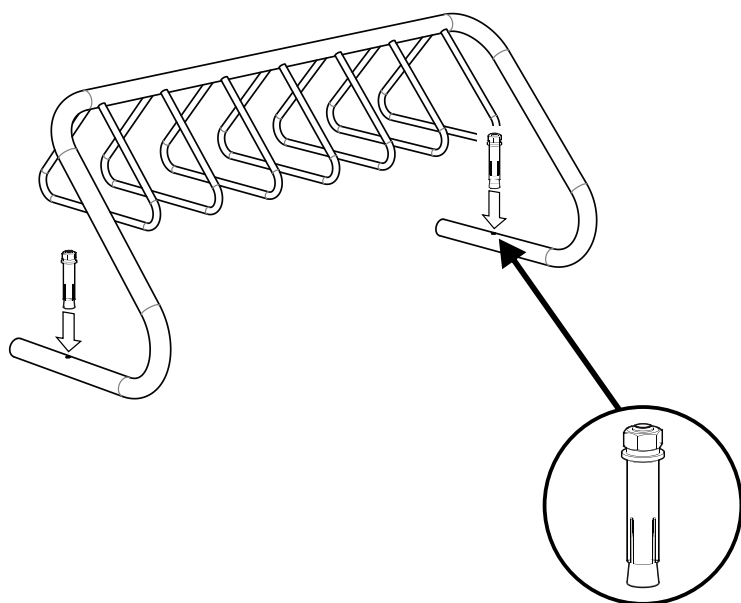
- Before mounting rack, find a suitable place that will allow for minimum spacing dimensions
- Ensure min distance of 1500mm is provided for correct aisle space and access for bikes
- Ensure minimum spacing from walls, other racks or obstructions to allow for minimum access
- In multiple rack instal, racks may be mounted in an in-line cluster or a parallel cluster See product specification sheets for alternate mounting options. Can be found at [cora.com.au](http://cora.com.au)

# Bike Rack Installation Instructions

## Cora Bike Rack - EXPO Rack Series (Expo Classic Series)

---

### 3. Expo series fixings - concrete surfaces



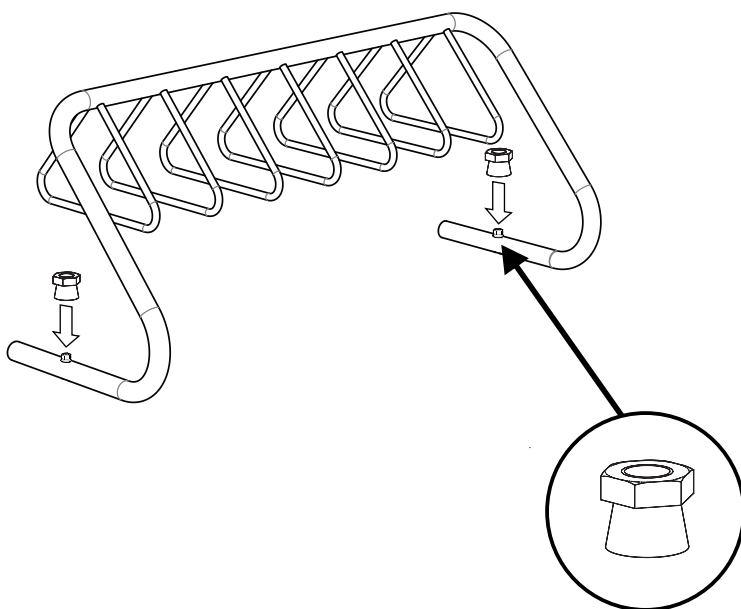
- Use the anchorbolts included
- Place rack in the desired location, ensuring correct clearance on all sides
- Place an 8mm drill through the 2 footing holes to mark the correct position
- Remove rack and drill an 75mm deep hole into the concrete using a standard hammer drill. Repeat using a 12mm drill. Clear holes of dust

**Do not drill over plumbing and/or electrical conduits, or through waterproof membranes that may be located just below surface level.**

- Place rack back into correct position, place the flat washers and standard nut on to the Dynabolts, and hammer the Dynabolts into place. Tighten nuts firmly

---

### 4. Adding the security nuts

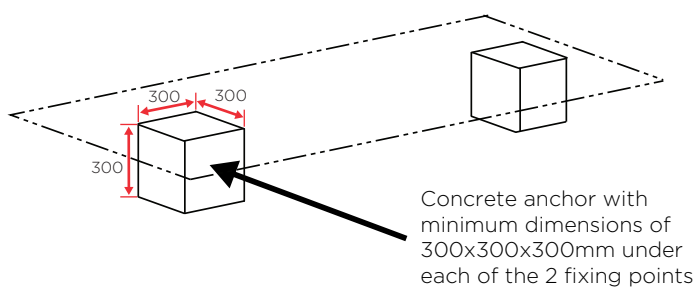
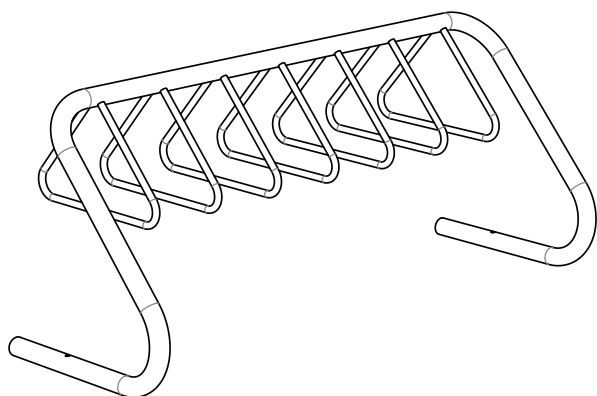


- To use the included security shear head nuts, carefully remove the tightened standard nuts, leaving the flat washers in place
- Screw on the new security nuts with the wide round base at the bottom
- Tighten the security nut firmly, and keep tightening until the top half of the nut snaps off
- Remove the top half of the Security Nut and discard. The lower half remains in place to provide an effective tamper resistant fixing

## Bike Rack Installation Instructions

### Cora Bike Rack - EXPO Rack Series (Expo Classic Series)

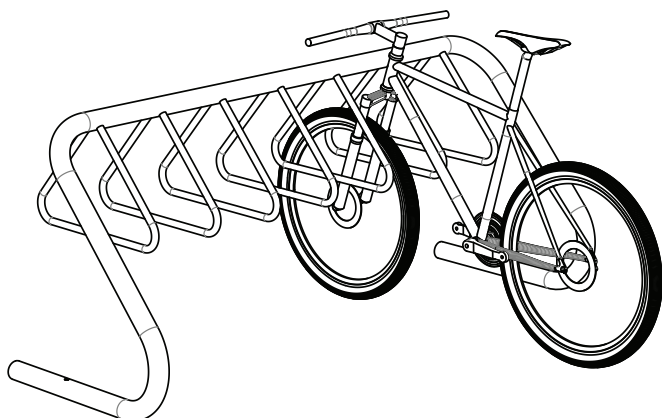
#### 5. Fixing to other surfaces - asphalt, brick pavers, grass or soil



- You must create a concrete surface or anchor surface to securely fix the rack in place to prevent theft
- Cora recommends placing a concrete anchor with minimum dimensions of 300x300x300mm under each of the 2 fixing points. These anchors can be pre-cast or made on site with quick set concrete
- Where the top of the concrete anchor is flush with surface level, the rack can be fixed following steps 1 to 4

- Where the top of the concrete anchor is located below surface level (such as below a layer of brick pavers), threaded rod can be placed in a sub-surface wet concrete base. The surface material and rack can then be positioned over the threaded rod. Careful attention must be paid to ensure correct positioning of the threaded rod and footing holes on the rack
- Once the concrete anchor has set, fasten as above from step 5 onward, on to threaded rod
- Please advise us if you require threaded rod in place of the standard Dynabolt fixings

#### 6. Installation complete



Installation of the Cora EXPO Classic Series Rack is now complete



**CORA**  
BIKERACK

PH 1800 249 878

sales@cora.com.au

www.cora.com.au