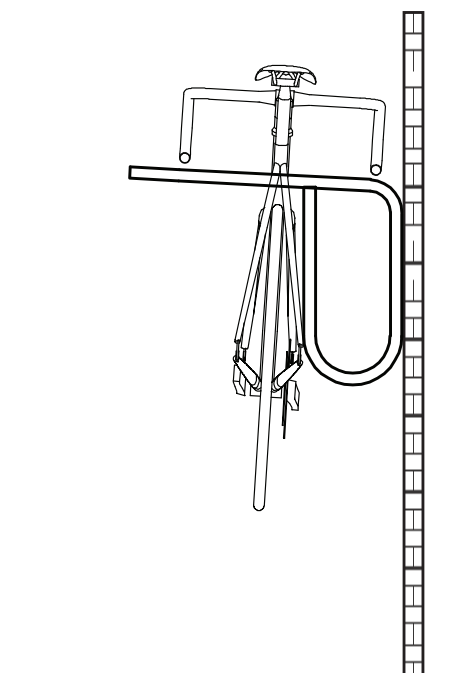
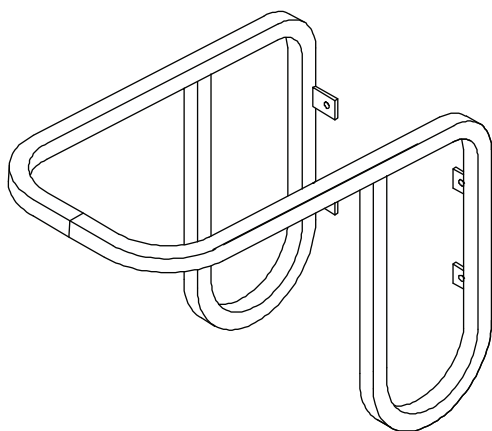


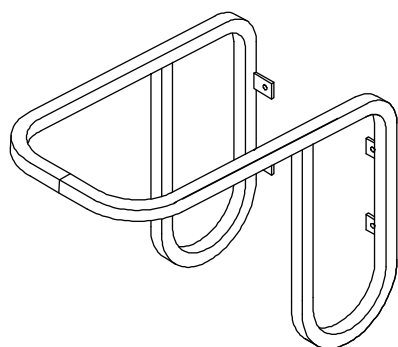
Bike Rack Installation Instructions

Cora Bike Rack - CWR Series Wall Mounted Racks (CWR'2')

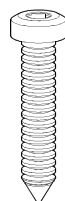
This instruction sheet is to be used for CWR2 Wall Mounted Rack.



Components for CWR2 Rack used in assembly



CWR Rack
(x1)



M8 x 40mm pin head
torx security screws
(X4)



Nylon Wall
Plugs
(X4)



Pin Head Torx
Screws Tool Bit
(X1)



Washers
(X4)

1. Site selection

When selecting a site for your new bicycle rack, the most important advice is;

Do not try to hide it, as it will not be used!

Suitable locations include;

- Above vehicle bonnet with appropriate clearance
- Adjacent to entrance doors and in line of sight of a window
- Near high pedestrian traffic
- Covered areas

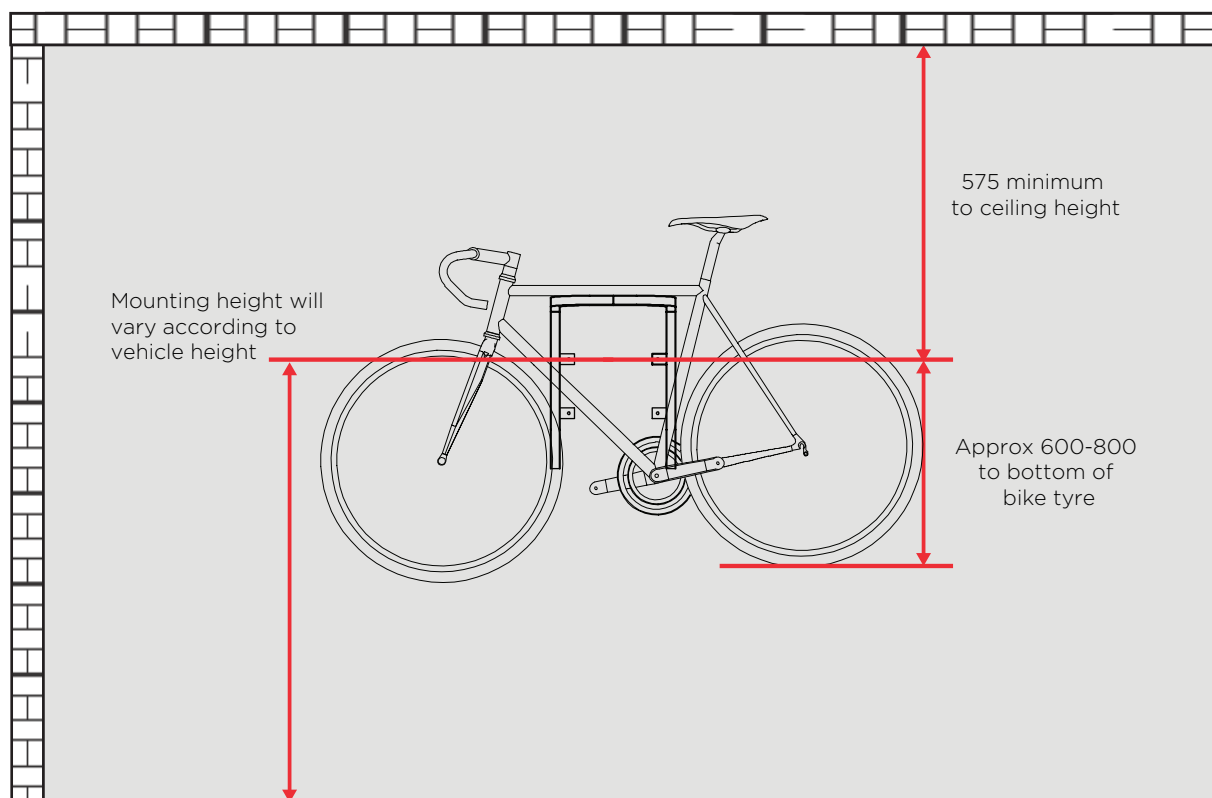
Other things to remember;

- Where a rack is being installed at an existing location, the rack should be placed where bicycles are currently parked
- When using a garage location, it is recommended to use a parking bay that is nearest to an entrance door.

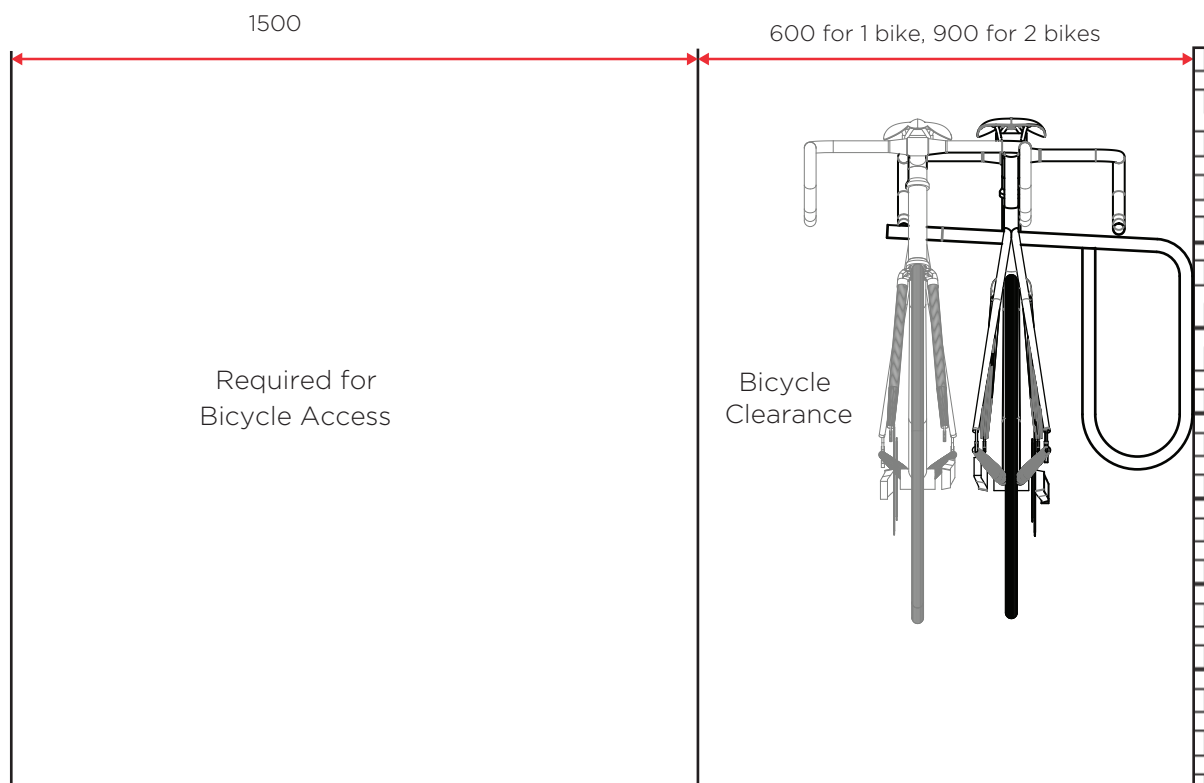
Bike Rack Installation Instructions

Cora Bike Rack - CWR Series Wall Mounted Racks (CWR'2')

2. Access and clearance



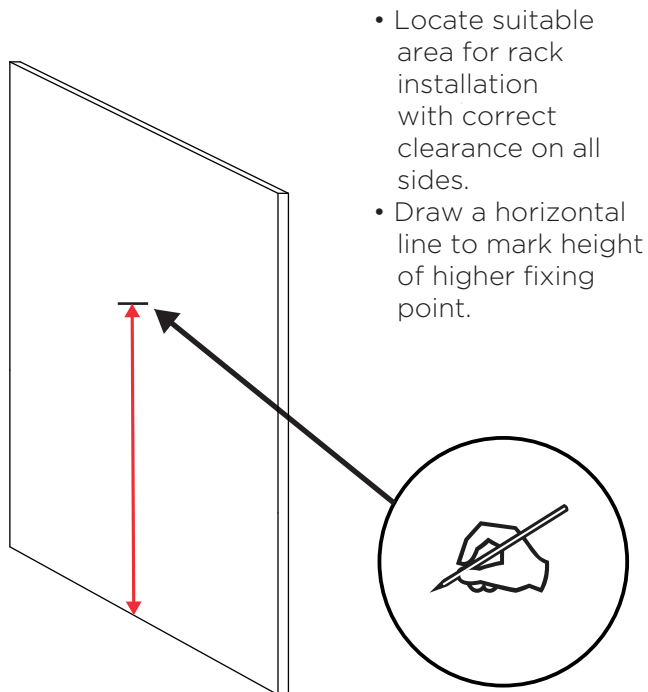
- Racks should be mounted at a height appropriate for a specific vehicle if clearance above the vehicle bonnet is required. Measures shown are an example only.



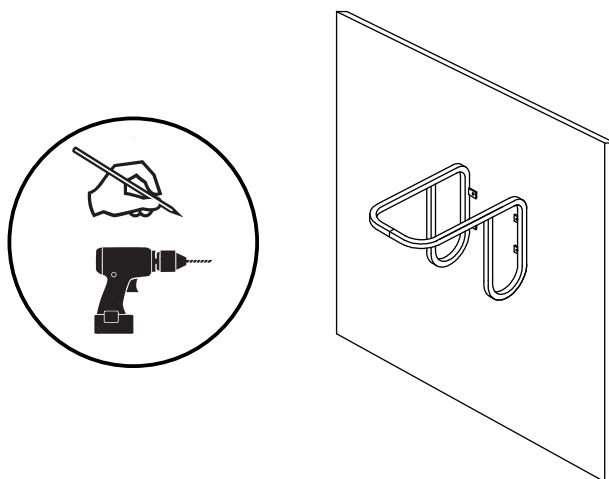
Bike Rack Installation Instructions

Cora Bike Rack - CWR Series Wall Mounted Racks (CWR'2')

3. Locate and measure suitable location



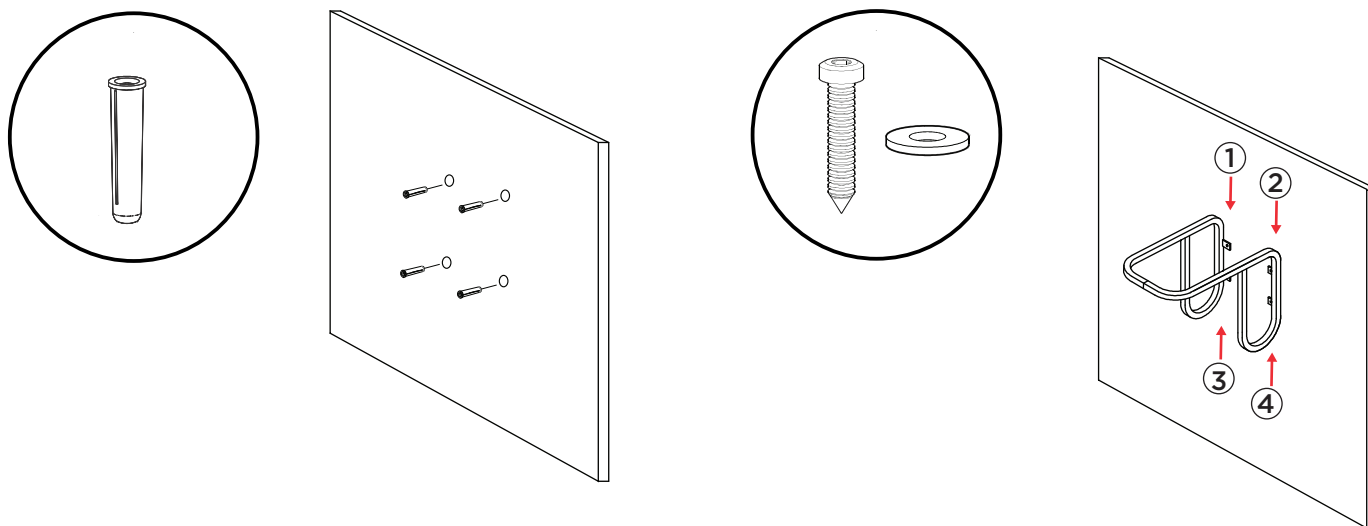
4. Mark and drill fixing points



- Place rack in desired position and mark all fixing points with a suitable marker.
- Drill holes using a 10mm masonry drill bit to a depth of 40mm. For best results use a 6mm bit first to prevent wandering of the larger bit. Clear holes of dust.

Do not drill over plumbing and/or electrical conduits.

5. Fix rack into position

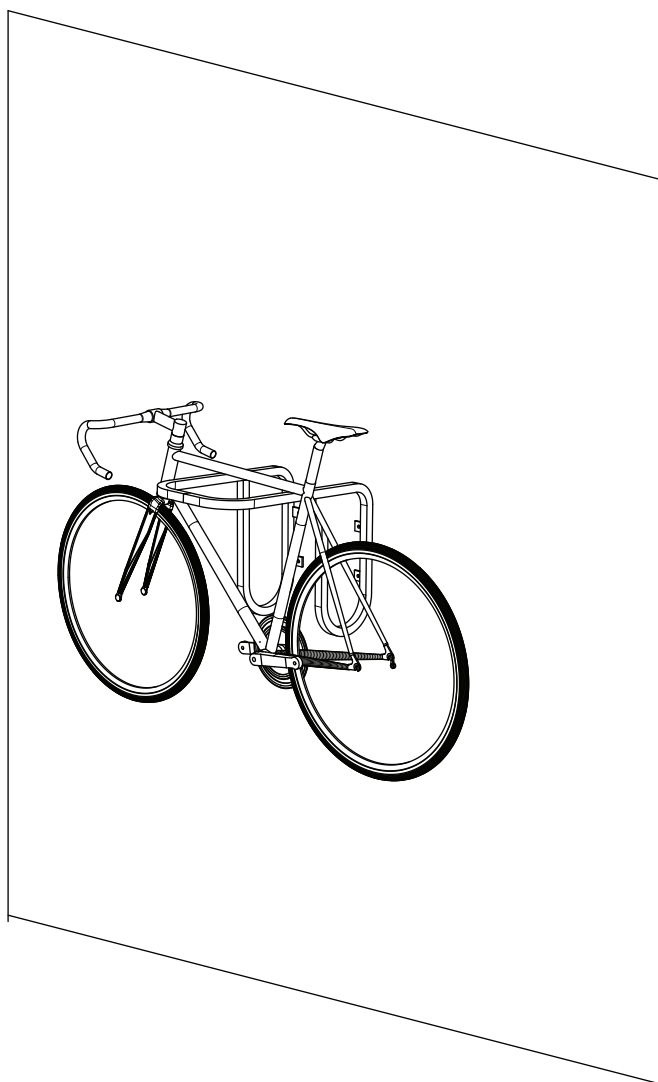


- Tap nylon sleeves into holes. Place rack in position and partially tighten screws starting from the top position. Once all screws are in, continue to tighten until firm.

Bike Rack Installation Instructions

Cora Bike Rack - CWR Series Wall Mounted Racks (CWR'2')

6. Installation complete



Installation of the Cora CWR2 rack is now complete



CORA
BIKERACK

PH 1800 249 878

sales@cora.com.au

www.cora.com.au