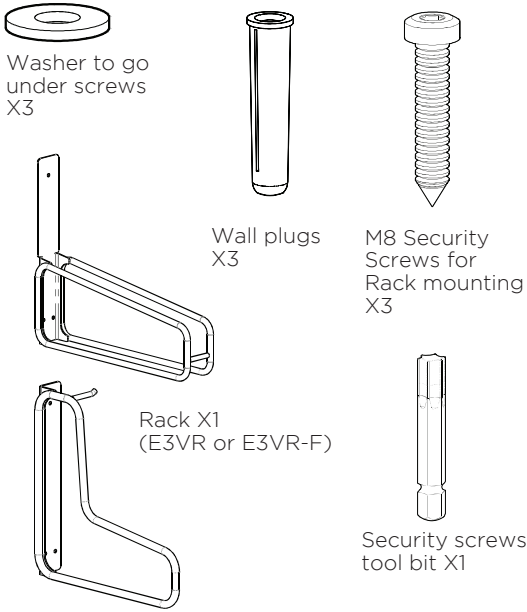
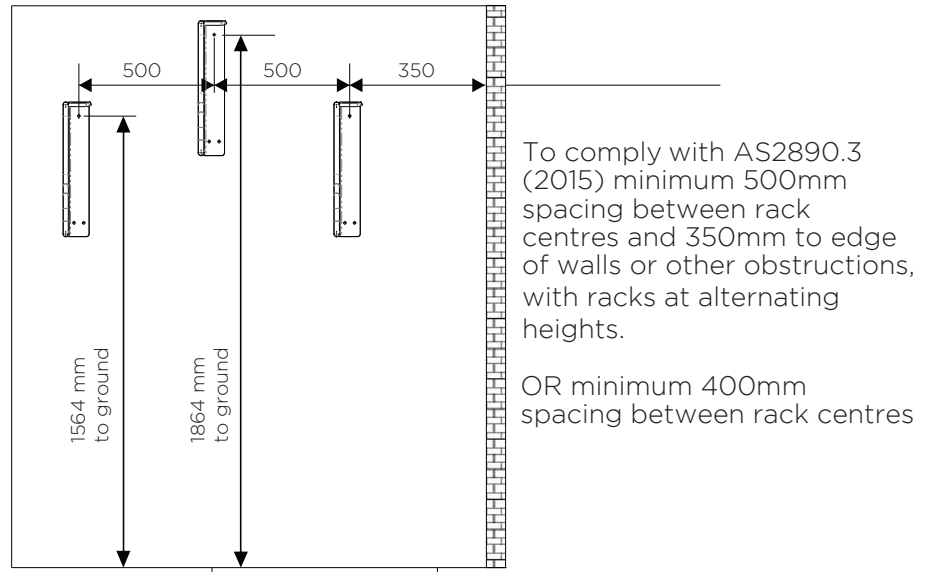


Bike Rack Installation Instructions

Cora Bike Rack - E3VR and E3VR-F



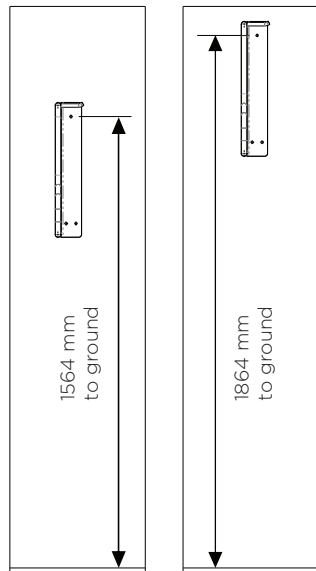
1. If mounting multiple racks, measure mounting distance between racks and other obstructions and height from ground



2. Mounting height of single or multiple adjacent racks (E3VR or E3VR-F)

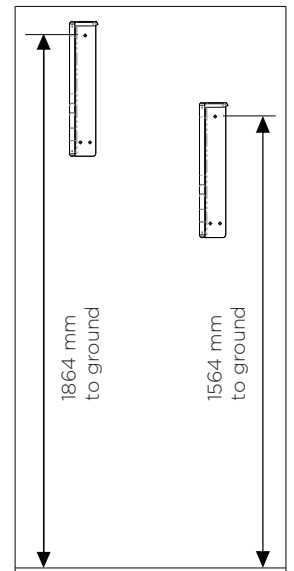
For Single mounted rack

- If mounting only one rack, the rack should be fixed in lower position to minimise lifting for cyclist



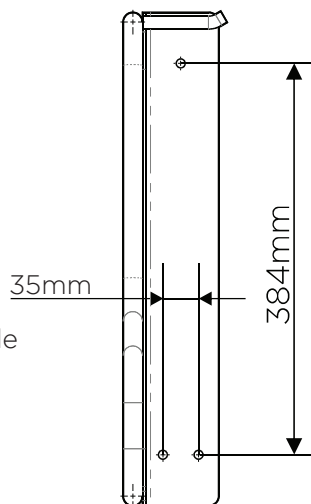
For Multiple mounted racks

- If multiple racks are being mounted next to each other, Rack height must be alternated
- NOTE: If all racks are to be mounted at the same height, racks must be spaced at 700mm centres

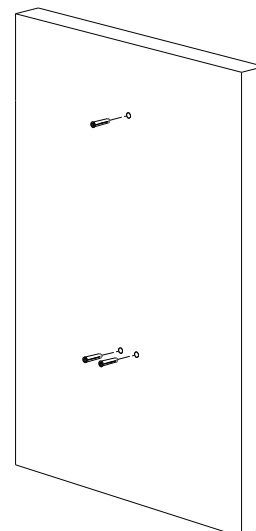


3. Drill mounting holes in wall

- Drill three (3) holes at correct hole centres. Use dimensions in image for hole location
- Drill holes 10mm diameter and min 40mm depth to accept wall plug for M8 screw



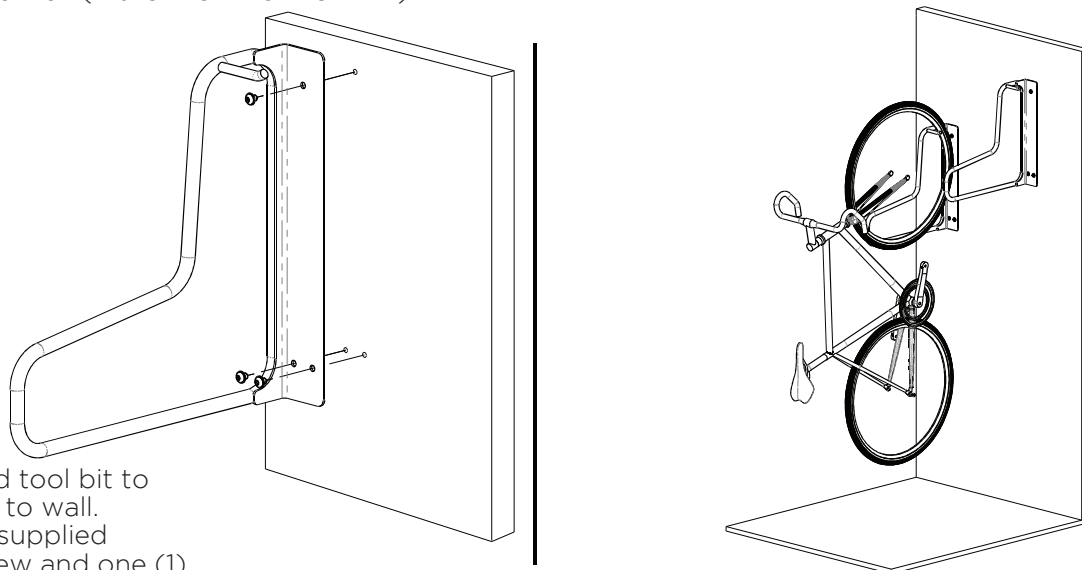
4. Insert wall plugs



Bike Rack Installation Instructions

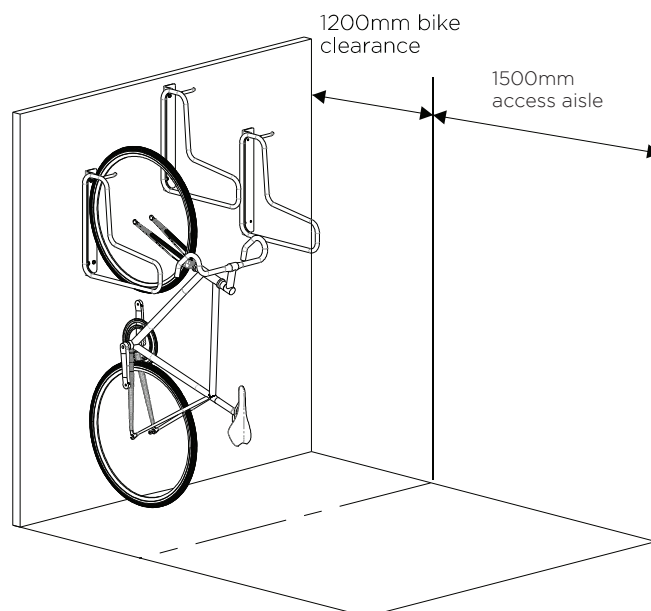
Cora Bike Rack - E3VR and E3VR-F

5. Fasten rack to wall (Either E3VR or E3VR-F)



- Use supplied tool bit to screws rack to wall.
- Use one (1) supplied security screw and one (1) washer per hole

6. Access and clearance around mounted racks



Access dimensions around racks

- Racks are to be mounted with minimum clearance zones from any wall a rack is mounted to
- Min. 1200mm from wall for bike clearance & minimum 1500mm additional for access aisle



CORA
BIKERACK

PH 1800 249 878

sales@cora.com.au

www.cora.com.au