



DOWNLOAD SPECIFICATIONS, REVIT + DWG FILES

CORA.COM.AU

OUR STORY...

Cora Bike Rack is a family owned business that has been devoted to improving Australia's cycling infrastructure since 1997. We are also cycling enthusiasts and believe that by designing better bicycle parking products, people will want to ride their bikes to more places, more often – and that's a good thing for everyone!

All of our products have been thoughtfully designed in Australia for ease of use, ease of installation and attractive aesthetics. Cora Bike Rack is currently the only Australian supplier to offer EcoSpecifier certified bicycle parking products.

If you are an Architect or Builder, we understand the new DA and Green Star conditions that now require AS2890.3 compliant bicycle parking facilities. As a contributor to the new Standard, we provide expert advice to create bike room layouts using compliant products and spacings to ensure your clients are happy and your project a success.

If you are a Local Council, Transport Authority, Building Manager, Owners Corporation, University or School, we can provide a flexible, well planned bike parking facility for your commuters, customers, employees, residents, and students.

Cora Bike Rack supplies and delivers door to door across Australia, and our product guarantees and prices are the best in the industry.

We look forward to learning more about your bicycle parking requirements and helping you choose the best solution available.

If you have any questions or comments, please contact us.



TABLE OF CONTENTS

01	COMPLIANCE AS2890.3 (2015) STEPS TO A COMPLIANT BIKE PARKING FACILITY	4
02	COMMERCIAL BIKE RACKS E3VR SERIES DYNAMIC BIKE RACKS E3DT SERIES - DOUBLE TIER SYSTEMS CBR SERIES EXPO SERIES CBL SERIES CWR SERIES SR SERIES SCOOTER RACKS BIKE MAINTENANCE CHANGEROOM LOCKERS	8
03	CONSTRUCTION + FINISHES MATERIAL + COLOUR OPTIONS	24
04	PRODUCT EXAMPLES + CLIENTS	28

COMPLIANCE



AS2890.3 (2015)

To avoid Development Approval delays, loss of Green Star points, replacement of non compliant bicycle parking products and monetary fines, it is important to determine if a project is required to provide bicycle parking facilities and products that comply with AS2890.3 (2015) requirements.



AS2890.3 (2015)

This standard provides a set of minimum requirements for the layout, design and security of bicycle parking facilities for architects, planners, builders, property managers and service providers. AS2890.3 (2015) represents a significant change to the 1993 version by introducing new concepts, spacing requirements and definitions. In addition, AS2890.3 (2015) includes clear requirements and criteria for selecting compliant bicycle parking products.

INSTALLING COMPLIANT BIKE RACKS SAVES TIME AND MONEY

Failure to provide compliant bicycle parking facilities may result in:

- development approval delays
- the requirement to provide additional space for bicycle parking
- the requirement to replace non-compliant product designs
- the loss of Green Star points
- monetary fines

3 STEPS TO AN AS2890.3 COMPLIANT BICYCLE PARKING FACILITY

STEP 1

Determine the number and class of bicycle parking spaces required.

Local Government and Green Star rules will advise the Number and Class of parking spaces required for development approval and Green Star points.

AS2890.3 (2015) classifies bicycle parking facilities by the level of security provided - Class A, B, and C.

STEP 2

Understand the space requirements.

By understanding the new Bicycle Spacing Envelope concept and exceptions, together with the space requirements for Access Aisles, you will be able to design a compliant bicycle parking facility and calculate the number of bicycles that can be parked in a given area.

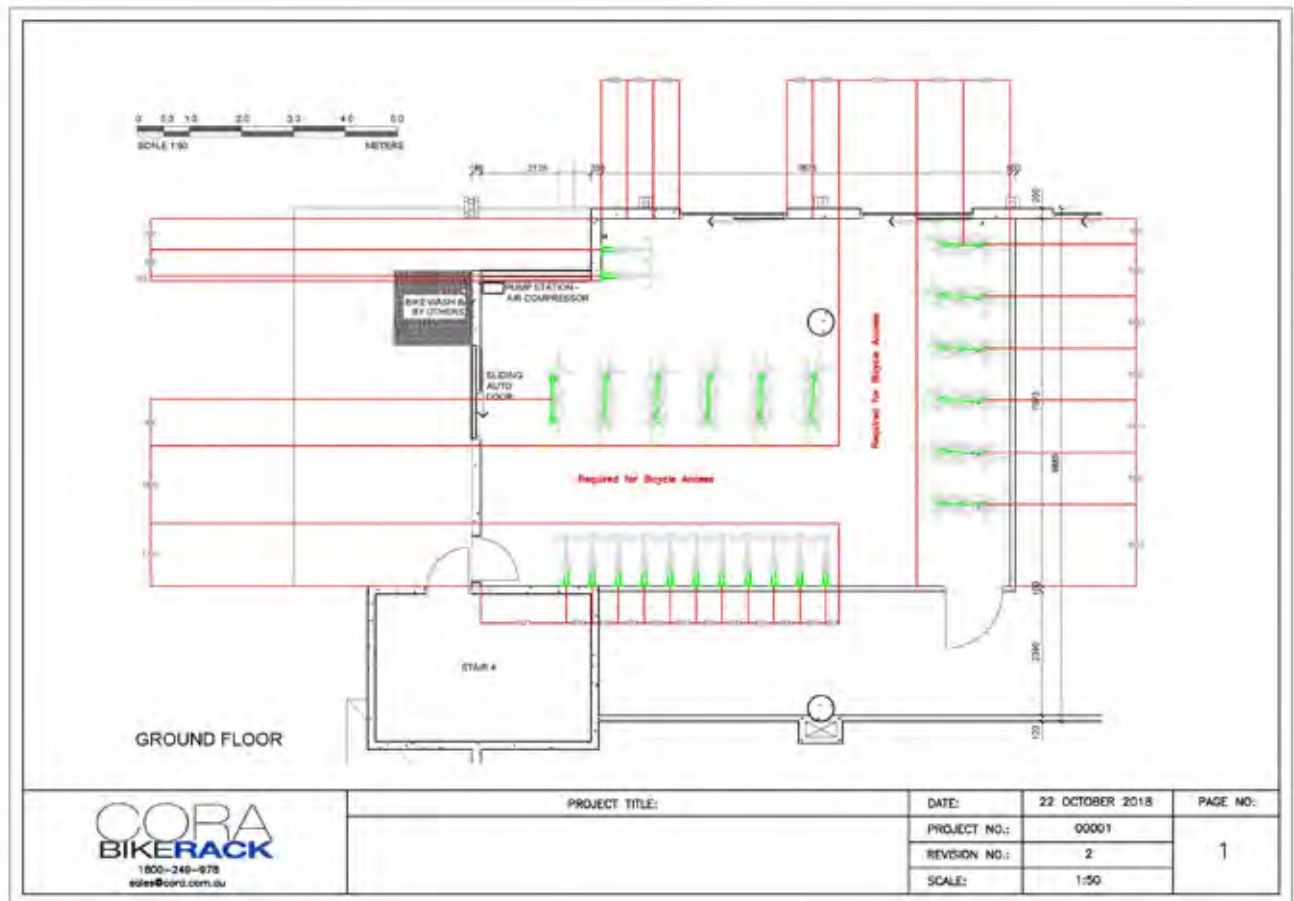
STEP 3

Understand bicycle parking device requirements.

By understanding the new requirements for a Bicycle Parking Device, you will be able to specify compliant bicycle parking products or design your own!

***TIP - DOWNLOAD OUR AS2890.3 WHITE PAPER AND BECOME YOUR OWN BIKE PARKING EXPERT**

USE OUR FREE BIKE ROOM LAYOUT SERVICE, OR
 DOWNLOAD CAD FILES DIRECTLY FROM OUR WEBSITE



LET US MAXIMISE YOUR BIKE
 PARKING CAPACITY WHILE ENSURING
 COMPLIANCE WITH STANDARDS
 AUSTRALIA REQUIREMENTS.

COMMERCIAL BIKE RACKS



ATTRACTIVE + FUNCTIONAL BIKE PARKING

Cora Bike Rack manufactures an extensive range of commercial grade bicycle parking racks from multiple bike racks and vertical racks, to our new 'dynamic' space saving racks. All of our products are designed in Australia, include tamper resistant fixings, and are backed by the best warranty in the industry.



E3VR SERIES



**VERTICAL
PARKING
CAN REDUCE
FLOOR SPACE
REQUIREMENTS
BY 30% AND
THE DYNAMIC
OPTION CAN
INCREASE
CAPACITY BY
20%**

E3VR-P Mounting Post shown with E3VR racks in a double sided installation.

Cora's proprietary vertical bike racks can reduce the distance a bicycle extends into the floor space by 30%. This will be an important factor for space challenged areas that must provide room for parked bicycles and the required access aisles.

Cora Bike Rack's latest product design, the E3VR is available in several innovative models. All E3VR racks can be mounted directly to existing walls or to the E3VR-P Mounting Post that is ready to use on single or double sides, and at alternating mounting heights.

E3VR Suitable for standard bikes



Use a mix of racks to cater for all types of bikes and cyclists. Where vertical parking is used, allow 30 to 50% of spaces for bikes with fenders.



E3VR-F Suitable for bikes with fenders

E3VR45-L Left angled rack

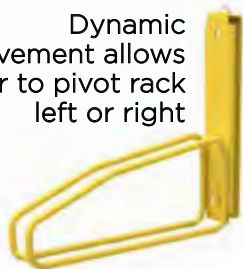


Reduce bike space length and access aisle width by 30% using angled vertical parking.



E3VR45-R Right angled rack

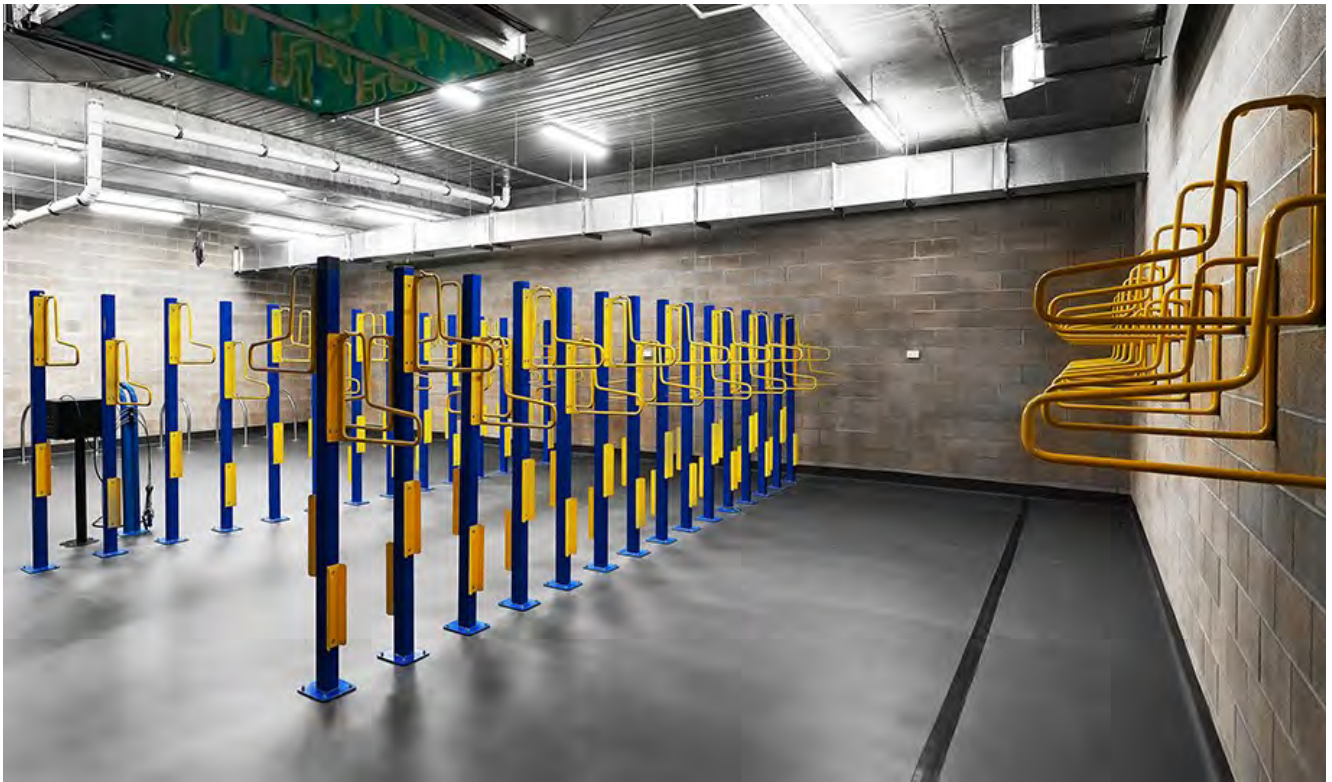
E3VR-DYN Dynamic movement allows user to pivot rack left or right



Increase capacity by 20% using a Dynamic vertical rack! Read more on page 12.

E3VR-P Optional mounting post



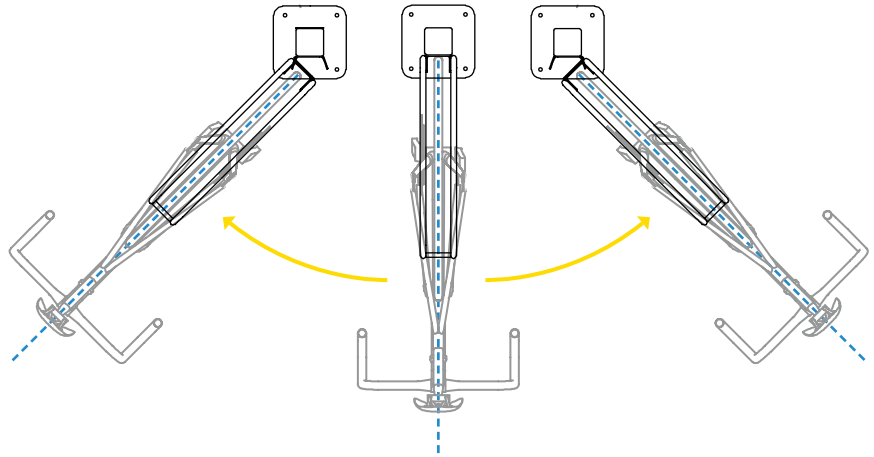


DYNAMIC BIKE RACKS

Cora's new Dynamic vertical and horizontal bike racks are AS2890.3 compliant to reduce the distance between bikes and increase capacity by 20%.

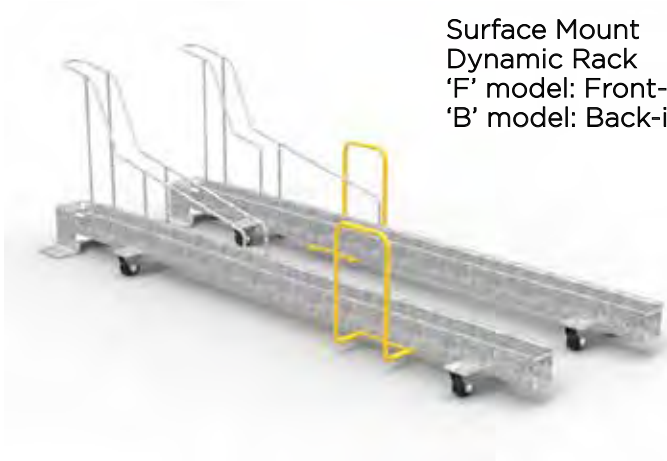


E3VR-DYN
Vertical wall of
post mount

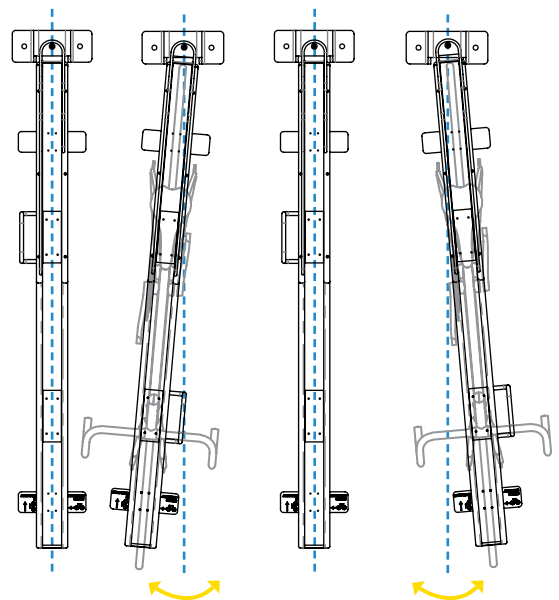


Dynamic movement allows user to pivot rack left or right.

INCREASE CAPACITY BY 20% TO 120% WITH AS2890.3 COMPLIANT DYNAMIC PARKING SYSTEMS

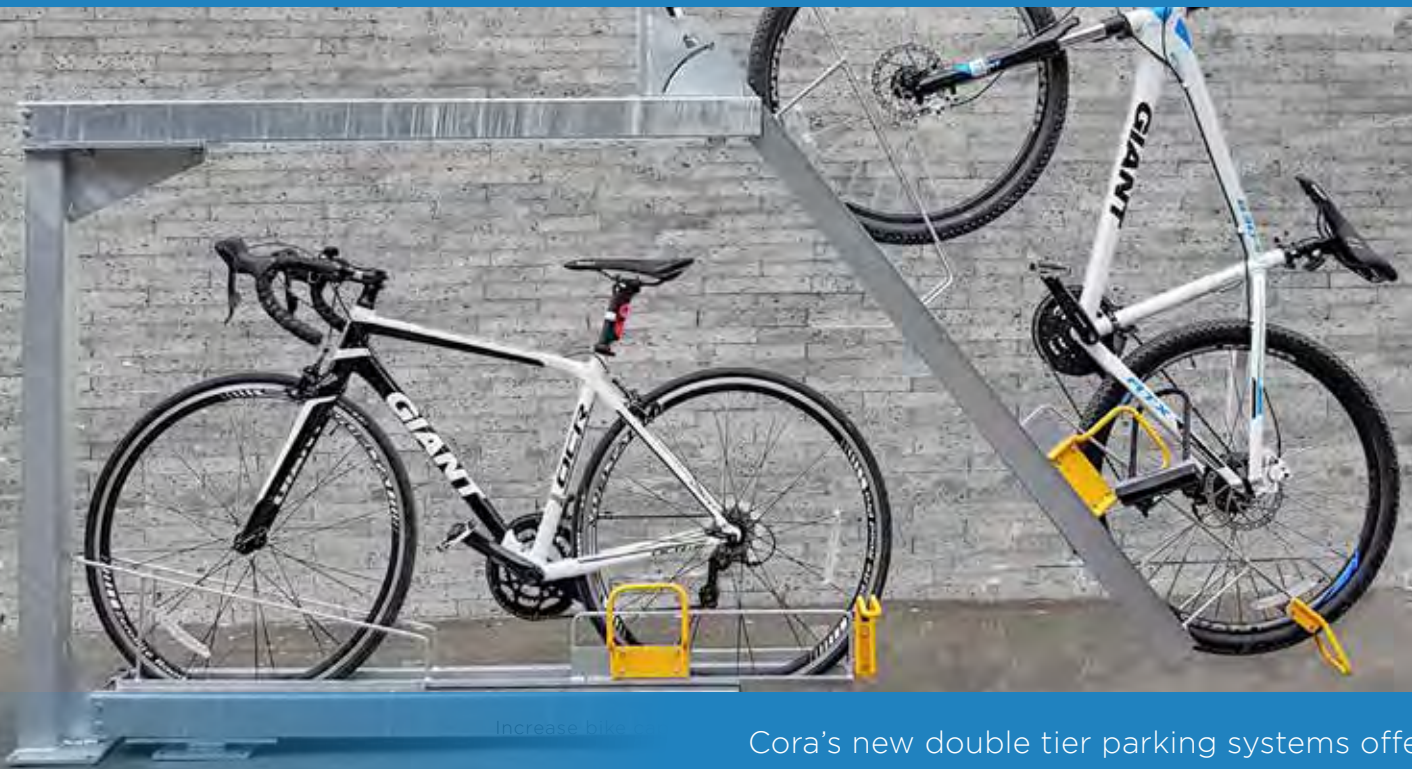


E3GP
Surface Mount
Dynamic Rack
'F' model: Front-in
'B' model: Back-in



Dynamic movement allows user to pivot rack left or right. Bikes alternate front-in / back-in

E3DT SERIES - DOUBLE TIER SYSTEMS



Cora's new double tier parking systems offer unrivaled flexibility in pricing and layout options. The Dynamic upper tier position is available in alternating heights to minimise bike interference and includes a gas strut to ensure easy lifting and lowering of bikes as required by AS2890.3.

MATCH THE DYNAMIC UPPER TIER WITH A DYNAMIC OR STATIC LOWER TIER

E3DT-GP

Dynamic Upper Tier
Dynamic Lower Tier



Australia's ONLY fully Dynamic double tier system to allow reduced AS2890.3 compliant spacing by using the E3GP dynamic rack for lower tier parking spaces.

INCREASE CAPACITY 120%

E3DT-CBR

Dynamic Upper Tier
Static Lower Tier



Double capacity with this cost effective AS2890.3 compliant double tier system that utilises CBR bike rails for lower tier parking spaces.

INCREASE CAPACITY 100%

CBR SERIES

The CBR Series offers a simple and effective solution that can be installed to accommodate 100's of bikes in an unlimited variety of configurations and in challenging spaces.

The CBR Series bicycle parking rails are designed to accommodate up to 2 bikes (1 bike on each side). In addition, the CBR Series comply with AS2890.3(2015) guidelines and can be used towards earning Green Star points.



CBR1



CBR2



CBR3



CBR4



CBR5



CBR6

SIMPLE AND
EFFECTIVE
SOLUTION
THAT CAN BE
INSTALLED TO
ACCOMMODATE
1-100'S OF
BIKES



ALL SIX CBR MODELS ARE AVAILABLE IN 2 MOUNTING VERSIONS.
CHOOSE EITHER



OR



CBR 'B'

Baseplate version for mounting to an existing concrete surface. Includes round base plates with beveled safety edges and stainless steel tamper resistant fixings.

CBR 'F'

Fixed insitu version for sub-surface mounting into a wet concrete base. Includes a spigot for a secure fix.

EXPO SERIES



As a proprietary Registered Design, the EXPO Series has become Australia's most popular bike rack where multiple bicycle parking spaces are required. The EXPO Series is a highly versatile system that can be installed for single or double sided access for maximum space efficiency.

All EXPO bike racks are shipped fully welded for vandal resistance with no assembly required, and include stainless steel tamper resistant fixings

EXPO 500 SERIES

Using 500mm spacing widths for compliance with AS2890.3 (2015), the Expo 1500 and Expo 2000 provide an elegant solution for parking multiple bikes and can be used to towards earning Green Star points.



EXPO 1500



EXPO 2000



EXPO 2704



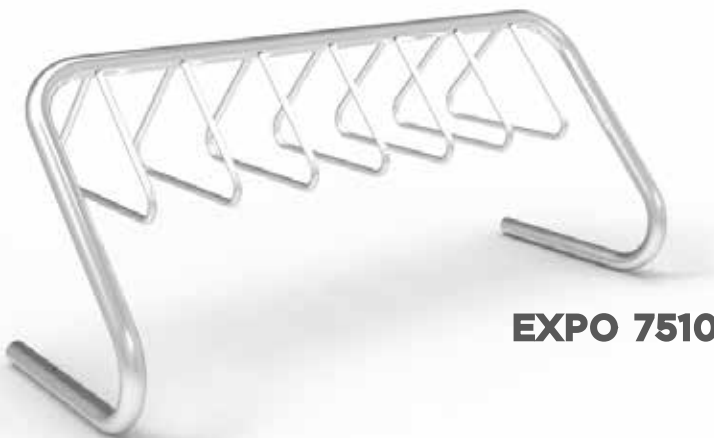
EXPO 3606

EXPO CLASSIC SERIES

A compact spacing solution with tighter spacing elements suitable for short term, opportunistic bike parking locations where AS2890.3 (2015) compliance is not required.



EXPO 4506



EXPO 7510



EXPO 7510-J

Made at a reduced height suitable for junior size bikes. Ideal for primary schools.

**KNOWN FOR
ITS EASE OF
USE AND
INSTALLATION,
THE EXPO
SERIES OFFERS
AN ATTRACTIVE
AND SECURE
FACILITY FOR
INDOOR AND
OUTDOOR USE.**

CBL SERIES

CBL-1

Security Level A.



A single door locker that provides the highest security Level A parking facility for 1 bike. Standard ceramic coat finish.

LD version available. Lighter duty materials suitable for indoor applications to reduce costs. Standard galvanised or upgrade to colour powder coat.

CBL-2

Cost-effective 2 door locker.



Two doors and a secure divider provide Security Level A parking facilities for 2 bikes. This is the most cost-effective option per bike space. Select from several locking options. Standard ceramic coat finish.

LD version available. Lighter duty materials suitable for indoor applications to reduce costs. Standard galvanised or upgrade to colour powder coat..

CBL-V

Space saving vertical locker.



A single door vertical locker provides a space saving Security Level A parking facility for 1 bike. Vertical parking reduces the horizontal footprint required for tight spaces. Standard ceramic coat finish.

LD version available. Lighter duty materials suitable for indoor applications to reduce costs. Standard galvanised or upgrade to colour powder coat.



Select from several locking options:

- latch
- key
- electronic keypad

CBL-DT

Increase capacity by 100%

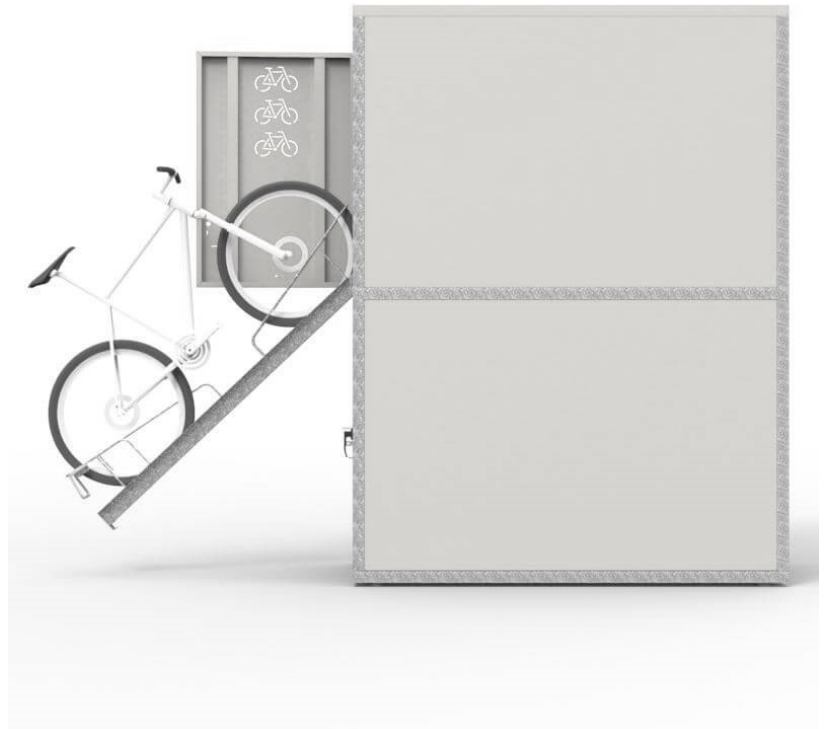


A double tier locker provides a Security Level A parking facility for 2 bikes and achieves the maximum capacity possible in a given space.

Standard ceramic coat finish.

CBL-DT

Upper tier includes gas assist lift for ease of use (as required by AS2890.3).



LEVELING FEET AND VENTILATED DOORS COME STANDARD. NUMBER PLATES ARE AN AVAILABLE OPTION.



CWR SERIES



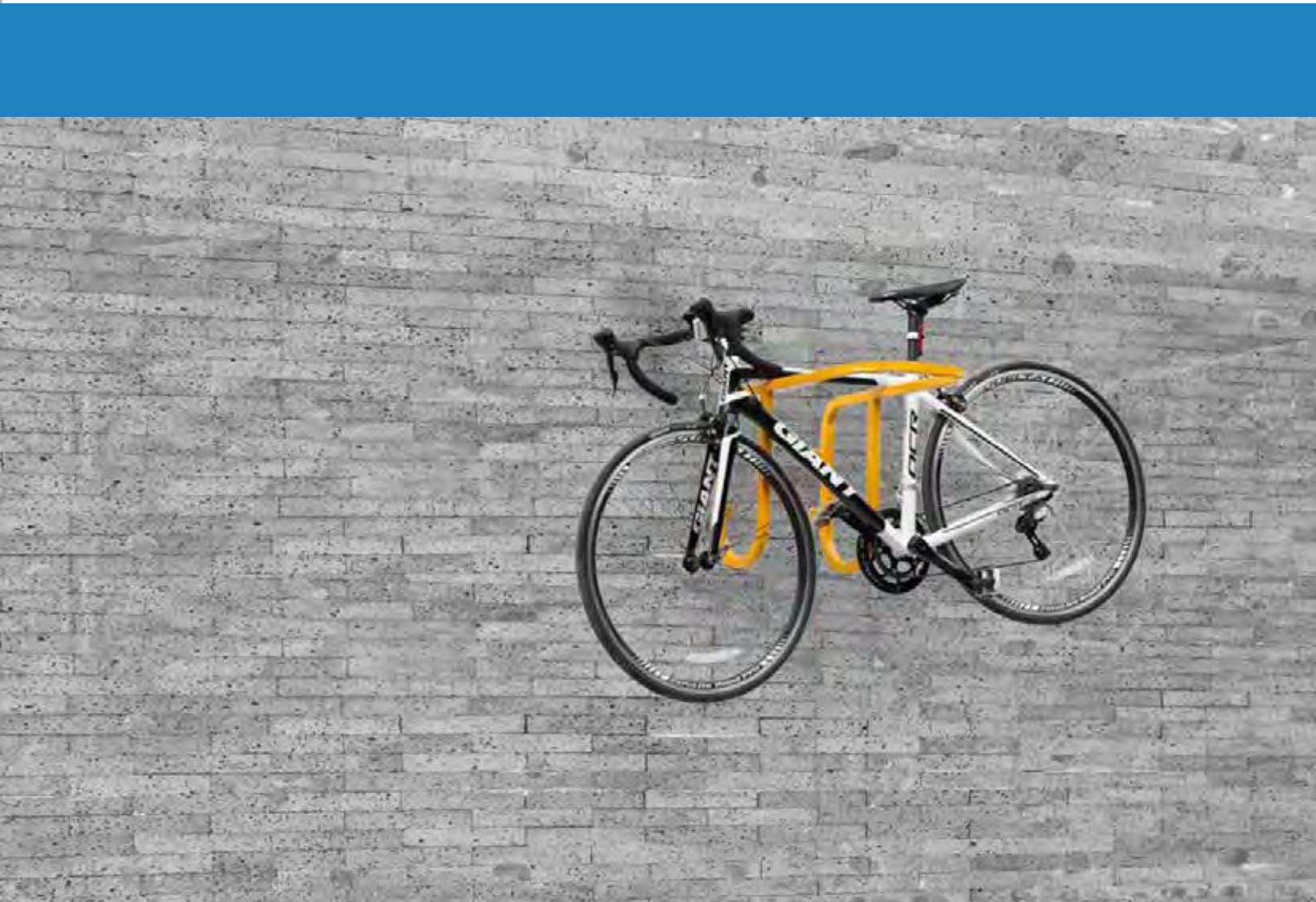
CWR1 WALL MOUNTED LOCKING ANCHOR

CWR1

The CWR1 makes the most of challenging and unused wall areas by providing a secure anchor point for bikes to lock to. Bicycle simply lean against the wall and lock up to the CWR1.

SECURE AND
COMPLIANT BICYCLE
PARKING OPTION FOR
OTHERWISE UNDER
UTILISED AREAS





The Cora CWR Series provides a secure and compliant bicycle parking option for otherwise under utilised areas. Using space alongside a wall, or above a vehicle bonnet, it is possible to increase the number of bike parking spaces thought possible.

CWR2

CWR2 holds 1-2 bikes in a horizontal position at any height such as above a car bonnet. Each bike can be locked separately, however the front bike must be removed to access the rear bike.



SRS SERIES SCOOTER RACKS

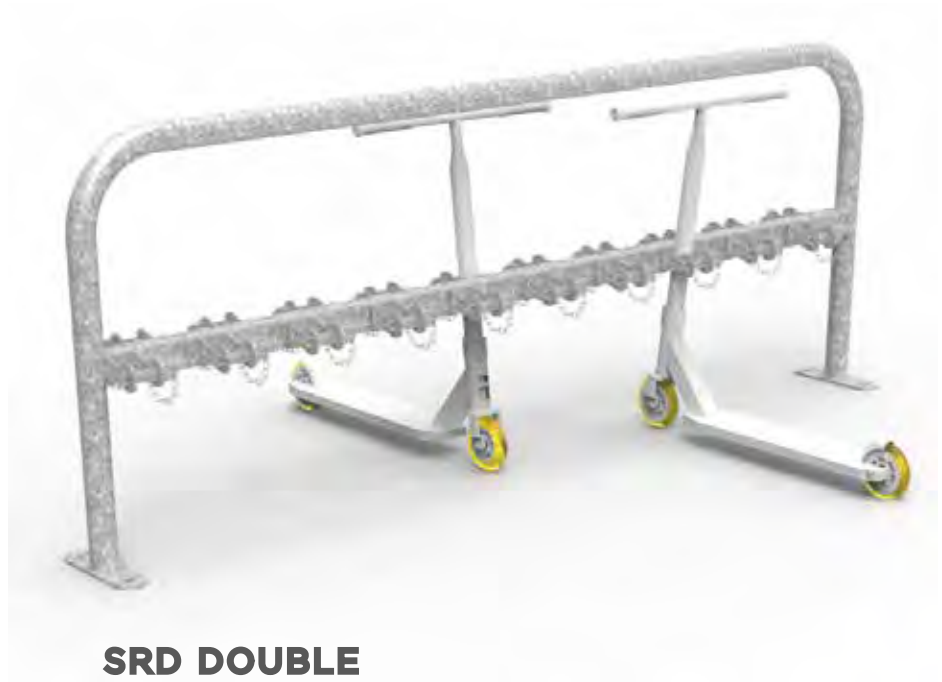
SCHOOL GROUNDS STAY TIDY WITH LOCKABLE SCOOTER RACKS



SRS SINGLE

Primary and secondary schools, TAFE's, Universities and recreation facilities all face an increasing need to provide an organised and secure parking solution for scooters. Cora products offer an easy and attractive facility for users to safely store and lock their wheels.

SINGLE AND
DOUBLE SIDED
OPTIONS
AVAILABLE FOR
AN ATTRACTIVE,
ORGANISED
AND SECURE
PARKING
SOLUTION



SRD DOUBLE

BIKE MAINTENANCE

Make cycling easier by providing all the tools necessary to keep bikes moving. Bike repair stands and pumps are the perfect addition to any End of Trip (EOT) facility. Visit our website for more product information.



CHANGEROOM LOCKERS

Complete your EOT changeroom facility with Australia's most secure & stylish changeroom lockers that provide cyclists the ideal place to store their riding and work clothes. Our partners at Activelocker will help coordinate design, layout and product selection with Cora Bike Rack to ensure the ultimate EOT facility experience.



**AUSTRALIAS MOST SECURE AND
STYLISH CHANGEROOM LOCKERS**



FINISHES WITH PURPOSE

Cora Bike Rack uses only high quality steels and finishes to ensure our customers receive the best bike racks suited for their purpose.

CONSTRUCTION + FINISHES



MATERIAL AND COLOUR OPTIONS TO SUIT ALL

(Material and Finish options available on select products)



HOT DIPPED GALVANISED

A Hot Dipped Galvanised (HDG) finish is perfect for racks that require long lasting protection in all weather and conditions. The HDG coating is applied post fabrication and then hand finished to ensure a safe smooth surface. HDG weathers to a battleship grey colour and is the most cost effective rack finish.



304 STAINLESS STEEL

Stainless Steel is a very durable and attractive material that will last for decades in tough environmental conditions. Our 304 Stainless is polished to a #4 finish for a rich, attractive appearance.



316 STAINLESS STEEL WITH ELECTRO POLISH

For the most robust material in harsh environmental conditions such as salty ocean air, marine grade 316 Stainless Steel is the only choice. With the addition of an electro polish finish, these racks will outlast all others and maintain an attractive mirror like appearance.






COLOUR POWDER COAT

For a smooth and glossy finish and to add identity to your rack a colour powder coat is a relatively low cost and durable finish option. Ideal for creating attractive indoor bike rooms, powder coatings can also be used outdoors but you can expect a shorter lifespan. Choose from our standard colour range, or nominate a custom colour for additional setup fees.

CORA POWDER COAT COLOURS

-  YELLOW (RAL 1023)
-  BLUE (RAL 5005)
-  GREY (RAL 7004)
-  GREY (RAL 7021)
-  BLACK (RAL 9005)

CERAMIC POWDER COAT

-  BLUE (RAL 5005)
-  GREY (RAL 7004)
-  BLACK (RAL 9005)

Ceramic powder coat is a specialised coating that provides a high impact resistance finish. It is used as a standard finish on these items:

- E3VR-P mounting posts
- E3DT double tier posts and bike trays
- CBL heavy duty outdoor bike lockers

PRODUCT EXAMPLES + CLIENTS



INNOVATIVE SOLUTIONS

Cora Bike Rack products are specified and used by leading transport planners, architects, local councils and developers. Recent examples of our products show flexible, well planned parking facilities for commuters, customers, employees, residents, and students.



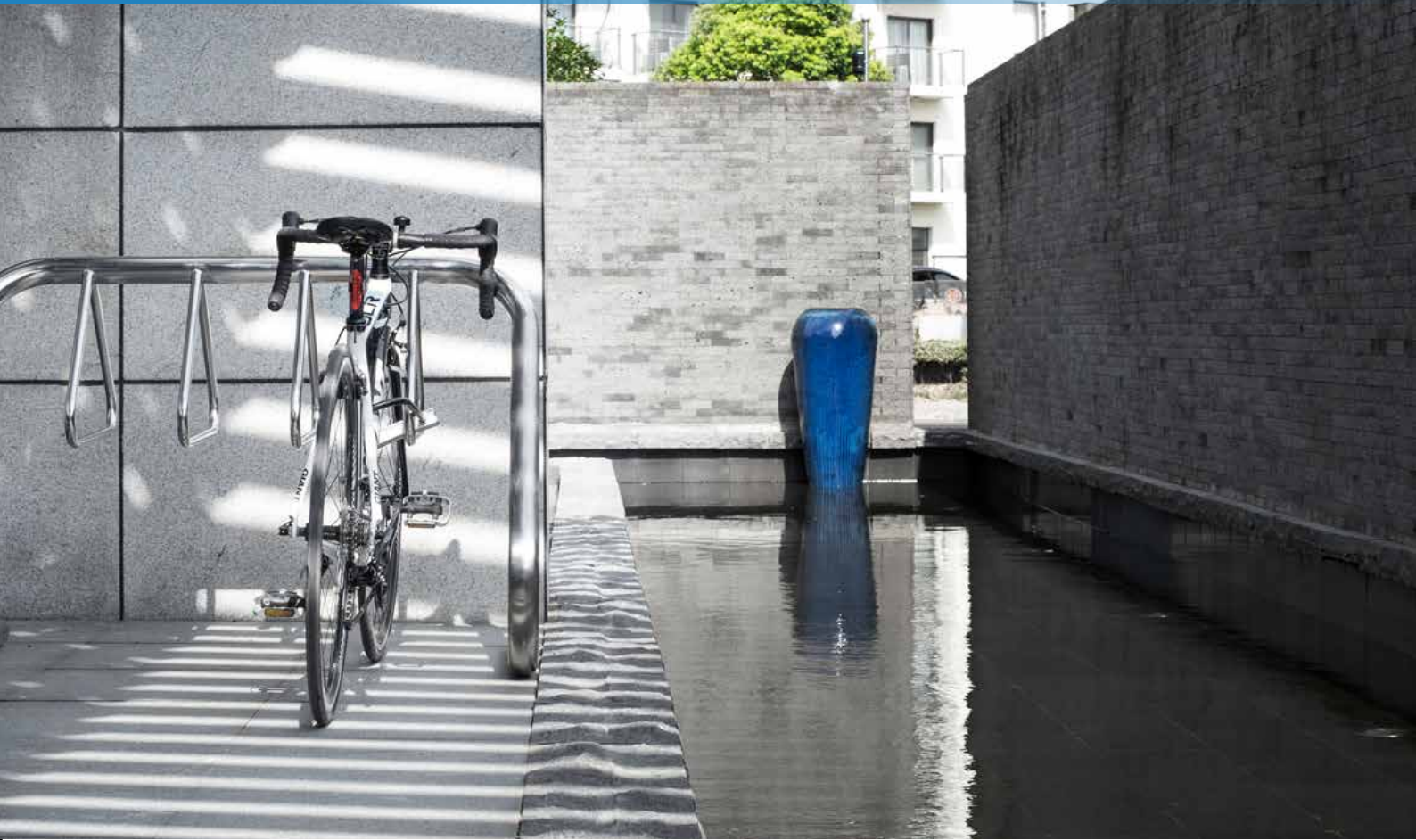
FLEXIBLE WELL PLANNED PARKING FACILITIES

With an extensive range of secure and attractive products, door to door delivery across Australia, and the best product guarantee in the industry, Cora Bike Rack can provide the ideal solution for your bicycle parking needs. Below are some examples of installations in both public and private spaces and on small and large scale projects.

**ALL OF OUR PRODUCTS HAVE BEEN THOUGHTFULLY
DESIGNED IN AUSTRALIA FOR EASE OF USE, EASE OF
INSTALLATION AND ATTRACTIVE AESTHETICS.**



FOR COMMUTERS



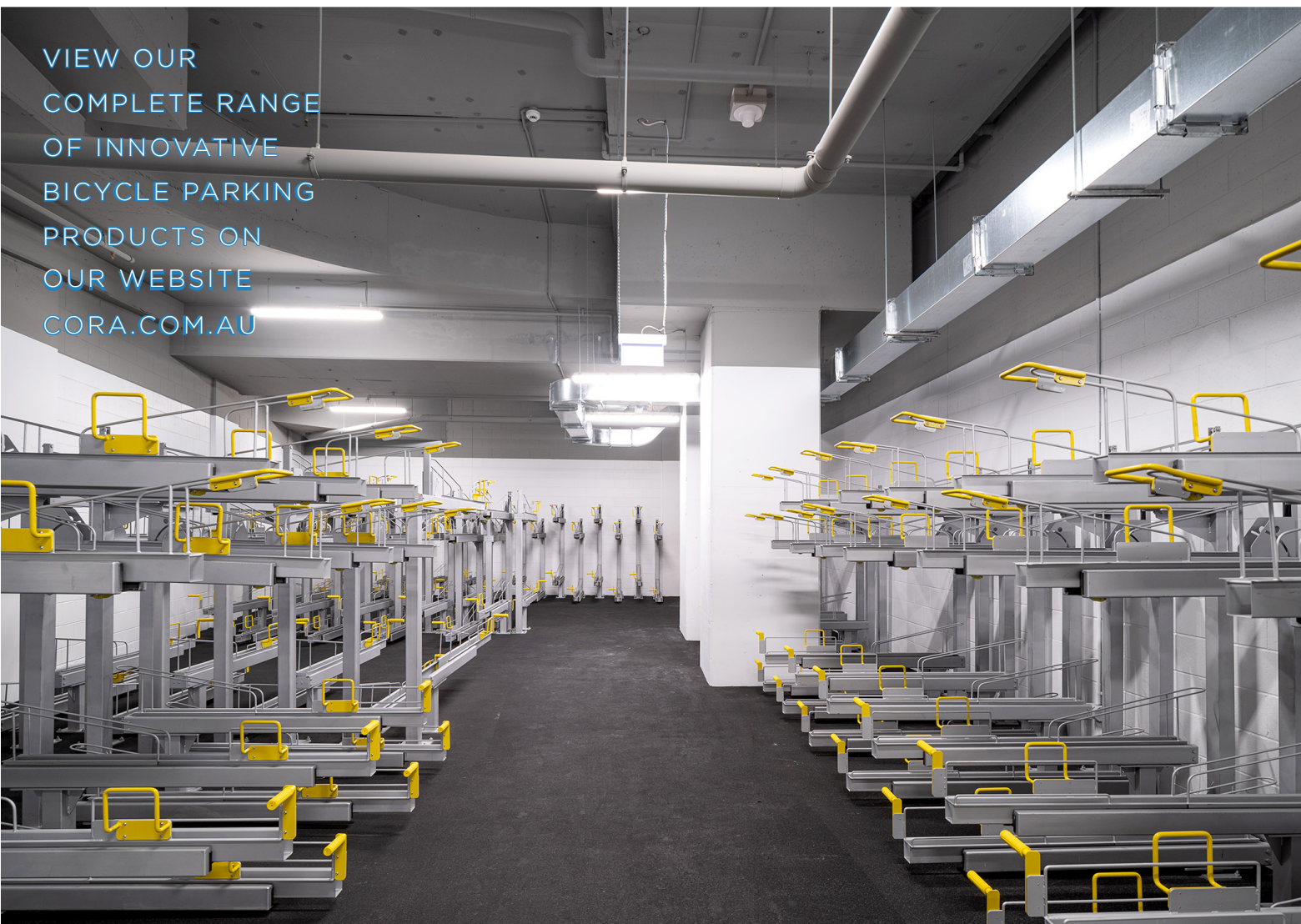
HOW MANY BIKES CAN FIT IN THIS BIKE ROOM? WHAT ARE THE MOST SPACE EFFICIENT AND COST EFFECTIVE BIKE PARKING SYSTEMS FOR MY PROJECT? DO I NEED AS2890.3 COMPLIANT BIKE PARKING PRODUCTS AND SPACING?

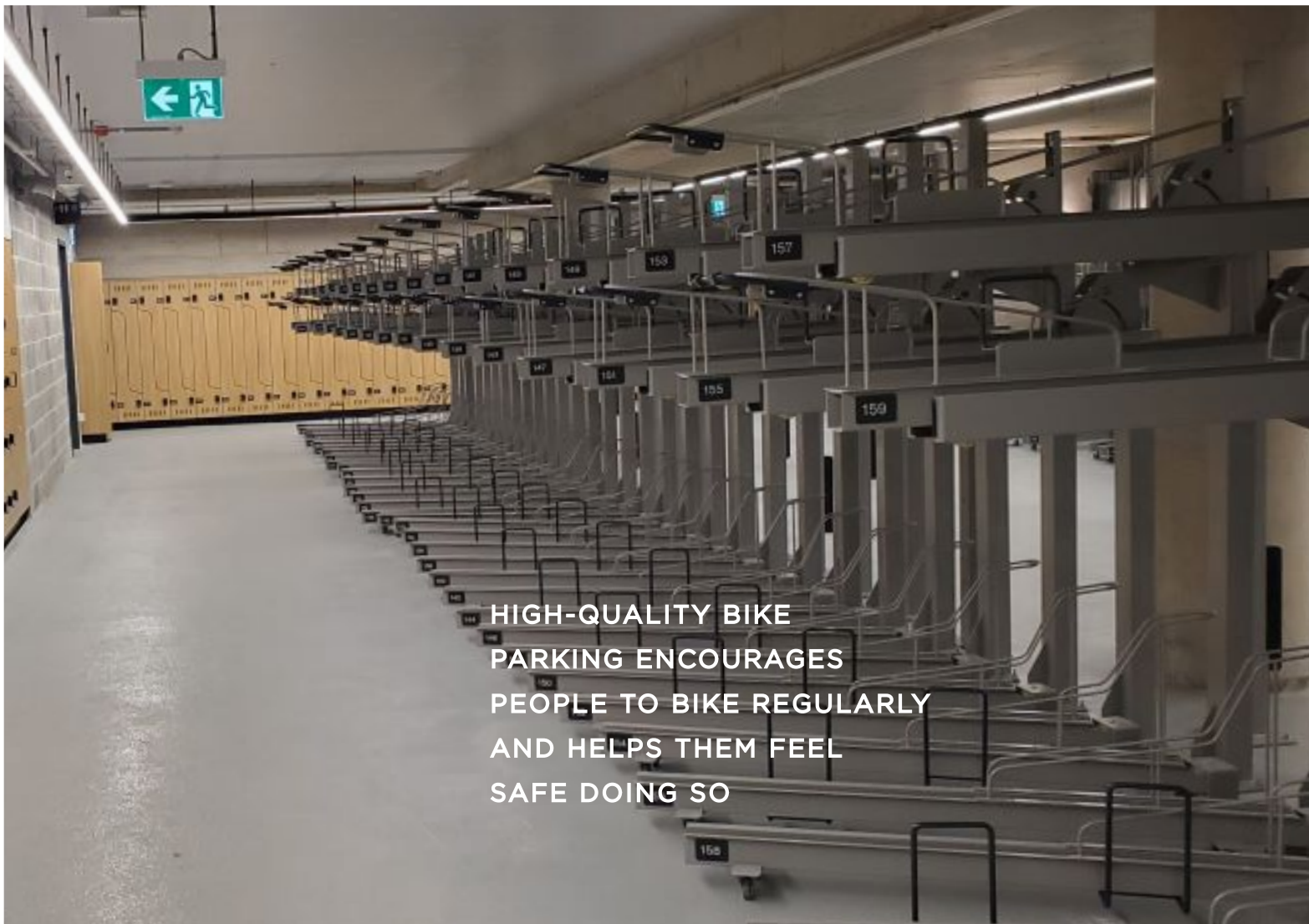
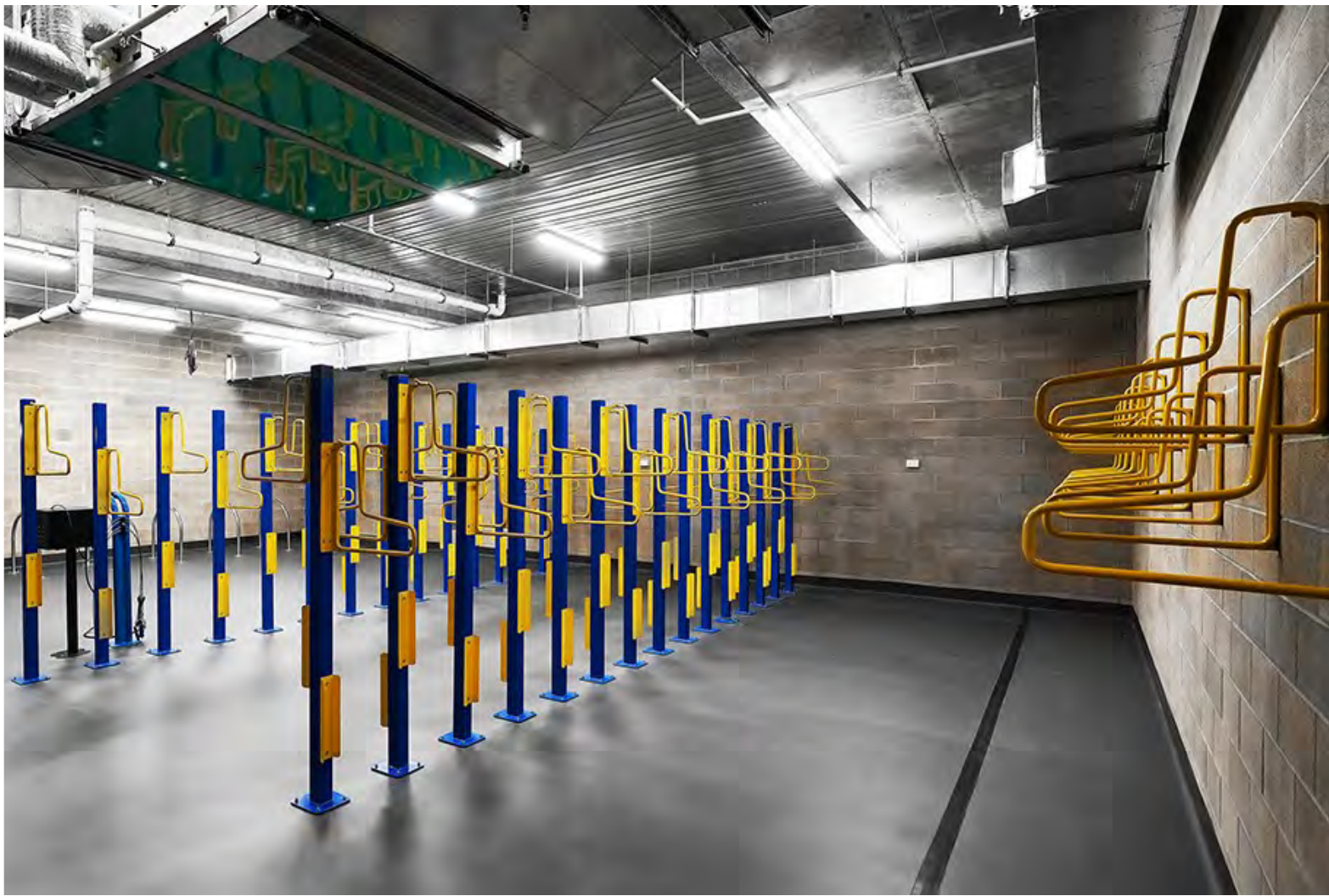
IF YOU NEED ANSWERS TO THESE QUESTION, WE CAN HELP.





VIEW OUR
COMPLETE RANGE
OF INNOVATIVE
BICYCLE PARKING
PRODUCTS ON
OUR WEBSITE
CORA.COM.AU





HIGH-QUALITY BIKE
PARKING ENCOURAGES
PEOPLE TO BIKE REGULARLY
AND HELPS THEM FEEL
SAFE DOING SO

PROUD SUPPLIER TO AUSTRALIA'S LEADING

Cora Bike Rack has proudly supplied Australia's leading architects, builders, councils, businesses and government agencies including the following:



WORLD BICYCLE RELIEF - proud sponsor.

WBR distributes specially designed bicycles to people in rural areas in Africa where the main mode of transport is walking. WBR envisions a world where distance is no longer a barrier to education, healthcare and economic opportunity.

To find out more go to www.worldbicyclerelief.org



COMPANIES.



RICHARD CROOKES
CONSTRUCTIONS

JOHN
HOLLAND



HANSEN YUNCKEN



Sydney Olympic Park



COX

CONTACT US

We are here to help!
As avid cyclists, we understand what it takes to make bike parking work. We will provide you with everything you need to make informed decisions on products, layouts, AS2890.3 requirements and more.

CALL US

1800 249 878

EMAIL

sales@cora.com.au



CORA
BIKERACK

CALL US
1800 249 878

EMAIL
sales@cora.com.au

WEB
www.cora.com.au